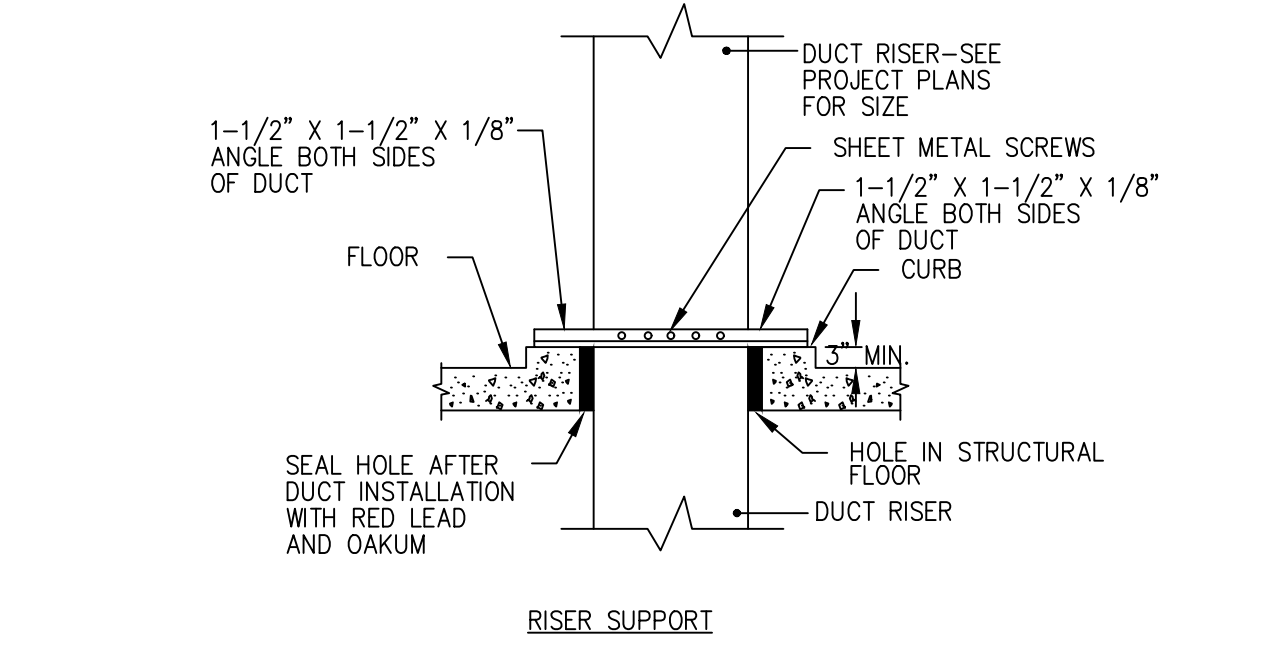
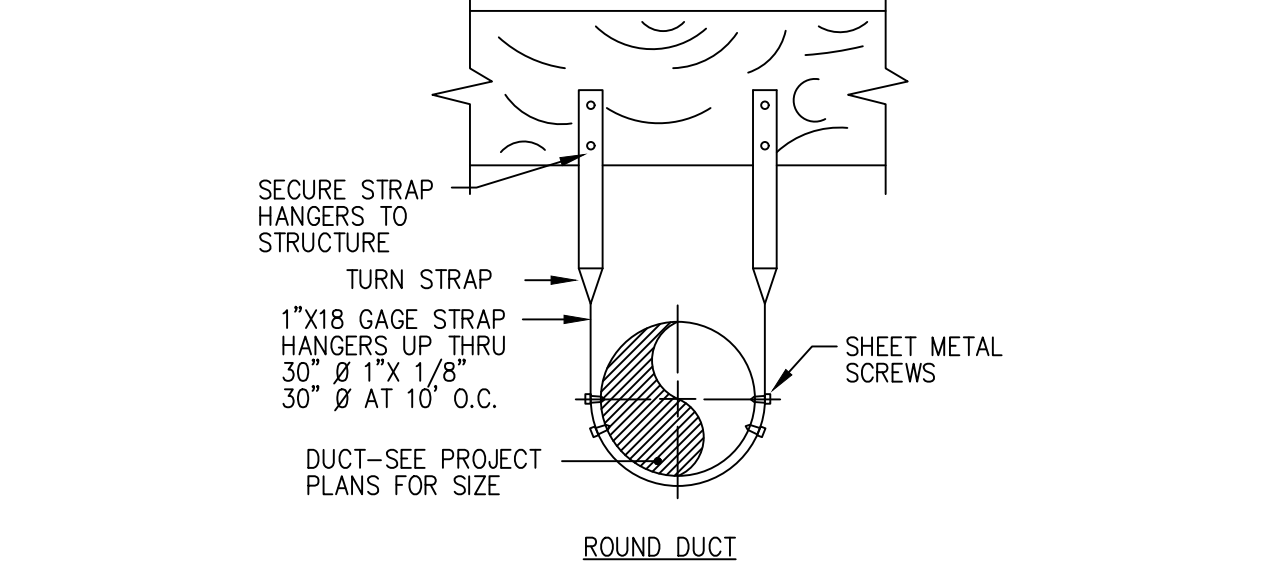
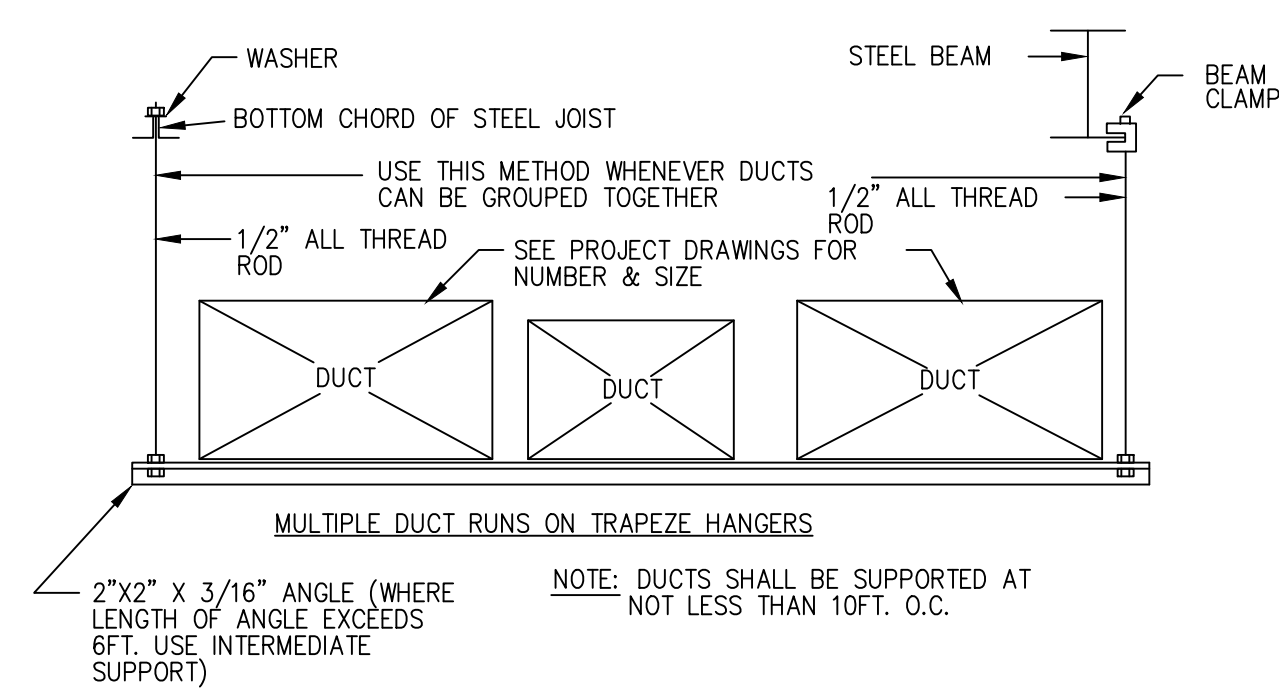
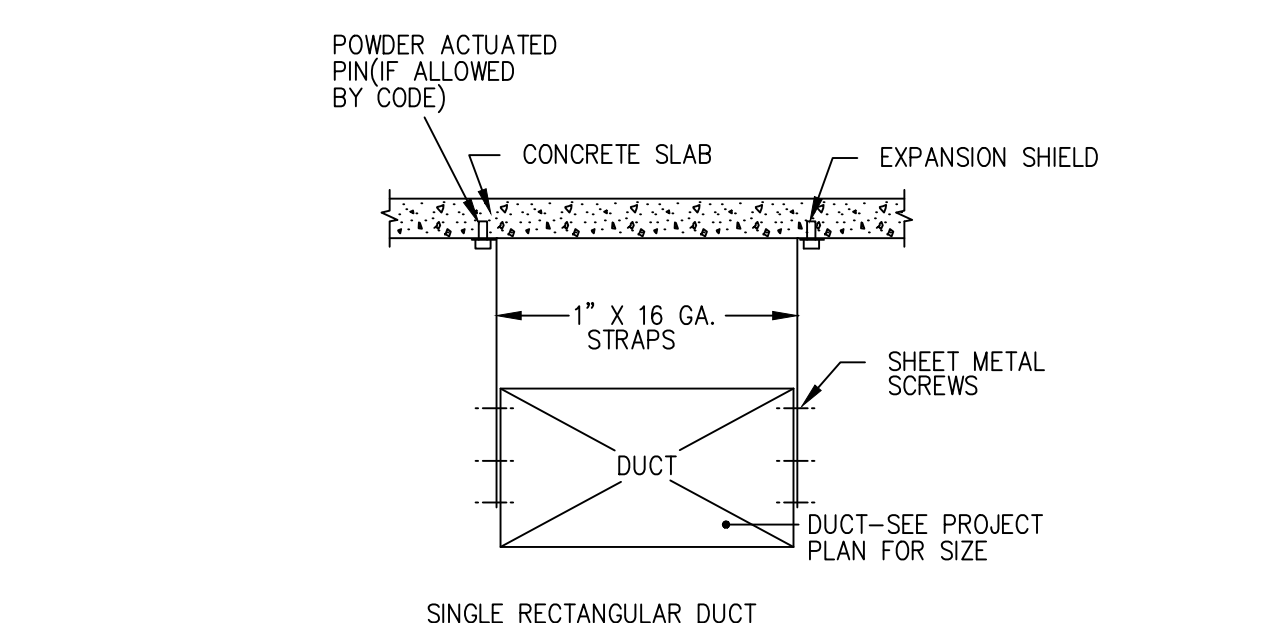
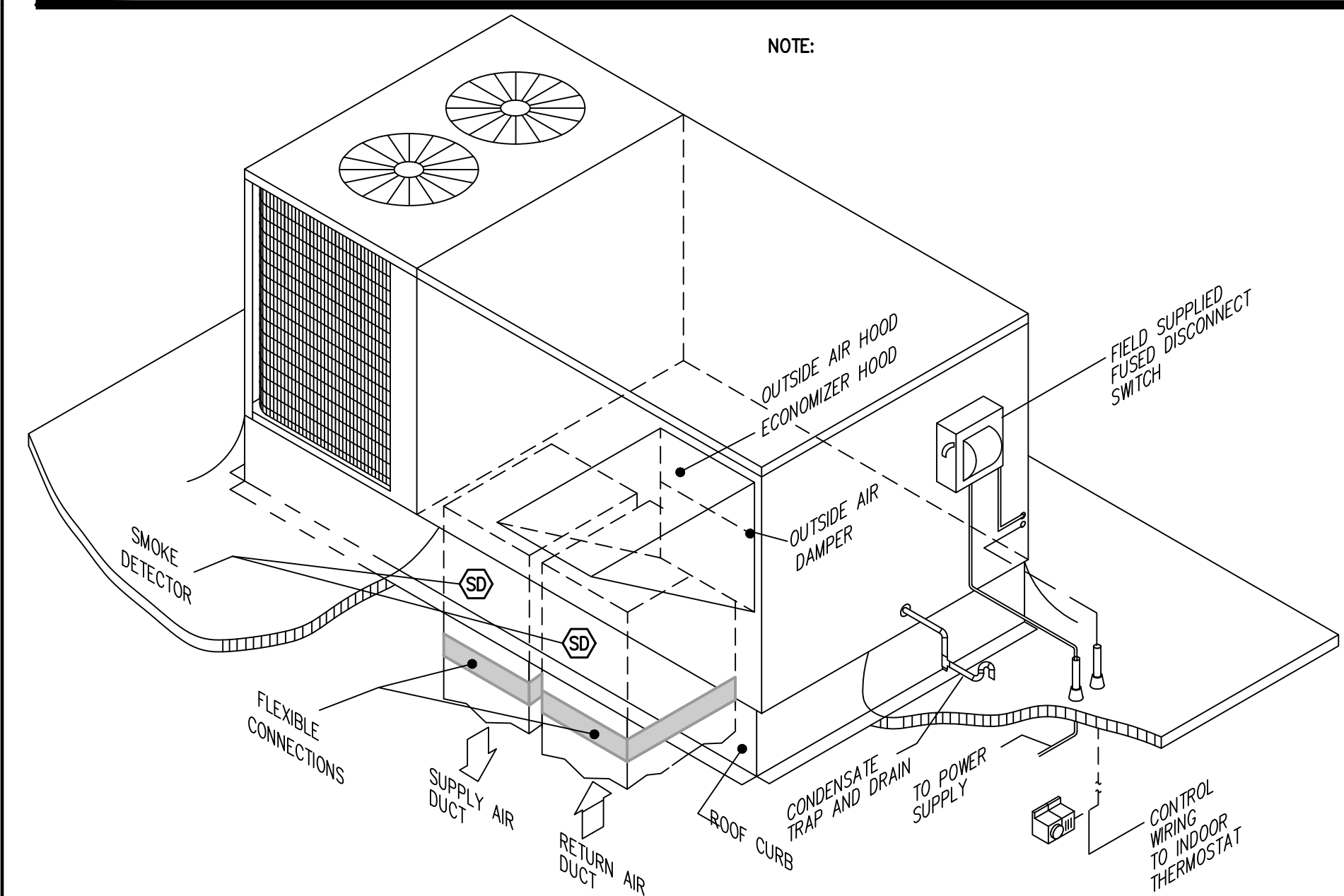


- INSTALLATION NOTES**
- ALL DUCTS SHALL BE CONSTRUCTED AND ERECTED IN A NEAT AND WORKMANLIKE MANNER.
 - DUCTS SHALL BE CONSTRUCTED OF THE WEIGHTS, GAGES AND MATERIAL SHOWN IN THE SCHEDULE ON THESE DRAWINGS.
 - THE DIMENSION SHOWN FOR ALL DUCTS SHOWN IN PLAN GIVE THE WIDTH FIRST AND THEN THE HEIGHT.
 - DUCT RISERS SHOULD BE SUPPORTED BY ANGLES AT EVERY FLOOR.
 - AIR TURN SHALL BE INSTALLED IN ALL ABRUPT ELBOWS TO PREVENT TURBULENCE.
 - DUCTS SHALL BE SECURELY ATTACHED TO THE BUILDING CONSTRUCTION IN AN APPROVED MANNER.
 - DIVERGING TRANSITION PIECES SHALL BE MADE AS GRADUAL AS POSSIBLE.
 - INSTALL FIRE DAMPERS IN ACCORDANCE WITH UL 555.
 - ACCESS PANELS SHOULD BE PLACED BEFORE AND/OR AFTER EQUIPMENT INSTALLED IN THE DUCT.
 - DUCT AREA SHOULD NOT BE DECREASED MORE THAN 10 PERCENT WHEN OBSTRUCTIONS CANNOT BE AVOIDED, AND THEN A STREAMLINED FITTING SHOULD BE USED.
 - FLEXIBLE FABRIC CONNECTIONS (OR EQUAL) SHOULD BE USED ON BOTH INLETS AND OUTLETS OF ALL FANS AND AIR HANDLING UNITS.
 - JOINTS AND SEAMS OF SUPPLY DUCTS SHALL BE FASTENED SECURELY AND MADE AIR TIGHT.



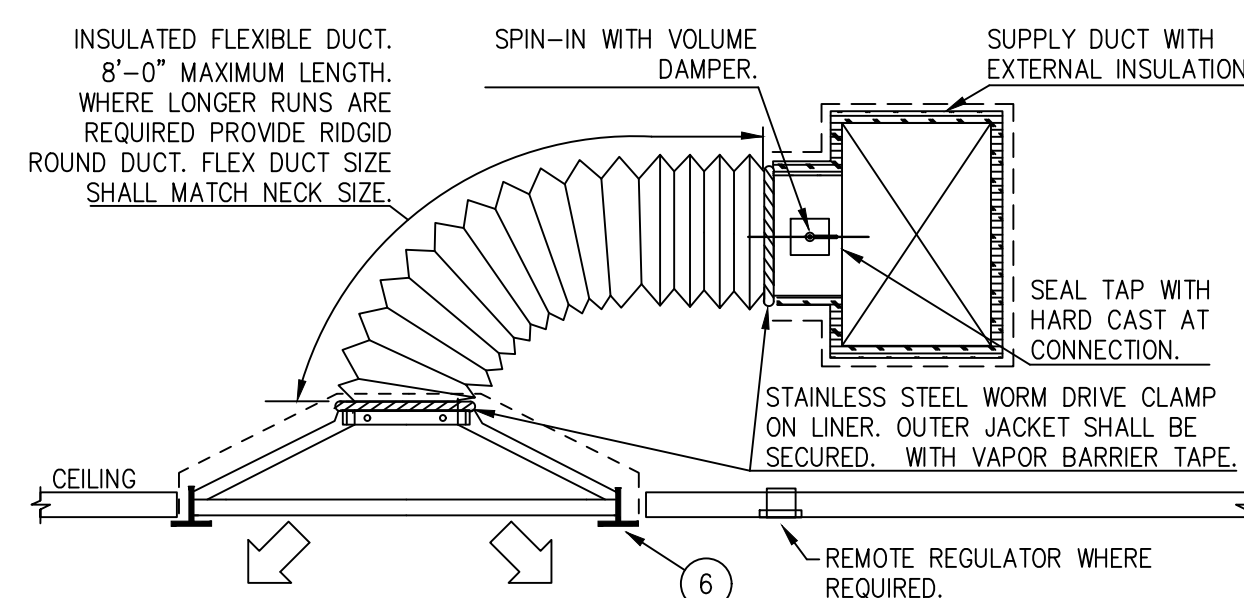
DETAILS OF THE LOW VELOCITY DUCT LAYOUT
SCALE: NONE



- NOTES:**
- REFER TO MECHANICAL PLANS FOR DUCT WORK CONFIGURATION FOR EACH UNIT.
TO SCHEDULES FOR SPECIFIC UNIT TYPE.
TO STRUCTURAL DRAWINGS FOR ROOF FRAMING AT OPENING.
TO MEP SPECIFICATION FOR ALL APPROPRIATE CONNECTIONS TO UNIT.
 - PROVIDE FLEXIBLE DUCT CONNECTION ON SUPPLY AND RETURN DUCTS AT UNIT.
 - PROVIDE SMOKE DETECTORS IN SUPPLY AND RETURN DUCTS AT UNIT FOR UNITS WITH 2000 CFM OR GREATER.
 - PROVIDE AUTOMATIC DAMPER IN OUTSIDE AIR INTAKE TO BALANCE OUTSIDE AND TO CLOSE WHEN UNIT IS NOT IN OPERATION.
 - PROVIDE SINGLE POINT CONNECTION FOR UNITS WITH ELECTRIC HEAT.
 - ROOFING MEMBRANE TO EXTEND TO TOP OF CURB AND OVER.
 - ANCHOR CURB AND UNIT TO ROOF FOR STORM RESISTANCE SEE GOVERNING BODY'S REQUIREMENTS AND MANUFACTURERS SPECIFICATIONS.
 - ROUTE CONDENSATE DRAINS TO APPROPRIATE LOCATION. INSULATE CONDENSATE DRAIN TRAP. SEE MECHANICAL PLANS.

ROOFTOP PACKAGED HVAC UNIT DETAIL
SCALE: NONE

DUCT HANGERS AND SUPPORTS DETAIL 04
SCALE: NONE



- NOTES:**
- CEILING DIFFUSER SHALL BE INSTALLED SUCH THAT THE FACE OF DIFFUSER IS FLUSH WITH CEILING. REFER TO AIR DEVICE SCHEDULE FOR EXACT DEVICE.
 - SUPPORT FLEXIBLE DUCT FROM STRUCTURE. FLEXIBLE DUCT SHALL NOT KINK, SAG OR REST ON LIGHT FIXTURE, CEILING SUPPORT "TEES" OR CEILING TILE.
 - PROVIDE SQUARE TO ROUND TAP AT BRANCH DUCT WHERE FLEXIBLE DUCT SIZE EXCEEDS DIMENSION OF RECTANGULAR DUCT.
 - FOR UNCONDITIONED CEILING PLENUMS, INSULATE BACK OF CEILING DIFFUSER WITH 1" DUCT WRAP AND SEAL WITH VAPOR BARRIER TAPE.
 - METALLIC FLEXIBLE DUCT SHALL BE USED WHERE FLEXIBLE DUCT CONNECTIONS ARE SHOWN ON THE DRAWING TO ALL AIR DEVICES INSTALLED IN INACCESSIBLE LOCATIONS SUCH AS ABOVE GYPSUM BOARD OR PLASTER CEILINGS. (REFER TO ARCH. DRAWINGS FOR CEILING TYPE.)
 - CEILING "TEE" OR DRYWALL TRIM PIECE BY OTHERS.

CEILING DIFFUSER
SCALE: NONE

DUCT HANGERS AND SUPPORTS DETAIL 04
SCALE: NONE

ISSUED FOR CLIENT APPROVAL	DATE
ISSUED FOR BIDDING	04/30/2026
ISSUED FOR PERMIT	04/30/2026
ISSUED FOR CONSTRUCTION	

MARK	DESCRIPTION	DATE
	REVIEW SET	03-27-2026
	90% REVIEW SET	04-13-2026
	BID AND PERMIT	04-30-2026

The information, ideas, designs, details, layouts, techniques, features, arrangements, plans, sequences, dimensions, allowances, tolerances, conceptions, specifications, intentions, technology or embodiments, as illustrated, arranged, displayed, noted, recorded, indicated, represented, disclosed, evidenced, detailed or otherwise reduced to tangible form hereon, either expressly, inherently or by implication, are the confidential and proprietary information of SLI Design, Inc., and shall not be used for any purpose other than the specific project or undertaking identified on the drawing title block or legend for which they are and have been prepared by SLI Design, Inc. Any other reproduction, disclosure or use of any portion of the confidential and proprietary information of SLI Design, Inc., shall be a breach of the obligation of confidence created by the acceptance of this drawing from SLI Design, Inc. for a specific project or Contract. Any copying, duplicating, reproducing, utilization, alteration, modification, revision or change to this drawing, is expressly prohibited unless done with the prior written consent or approval of SLI Design, Inc. and shall not be undertaken without receipt of such prior written approval. This drawing is loaned by SLI Design, Inc., for the limited purpose of complying with a specific Contract. The drawing remains the property of SLI Design, Inc., and shall be returned upon request or completion of the contract, unless specifically authorized by Contract, under which it was loaned.

DESIGN TEAM	
PM:	JG
MECHANICAL:	CC
ELECTRICAL:	JG
PLUMBING:	JG
CHECKED-BY:	JG

DRAWING TITLE
MECHANICAL DETAILS

SHEET NO.
M-4.00

