

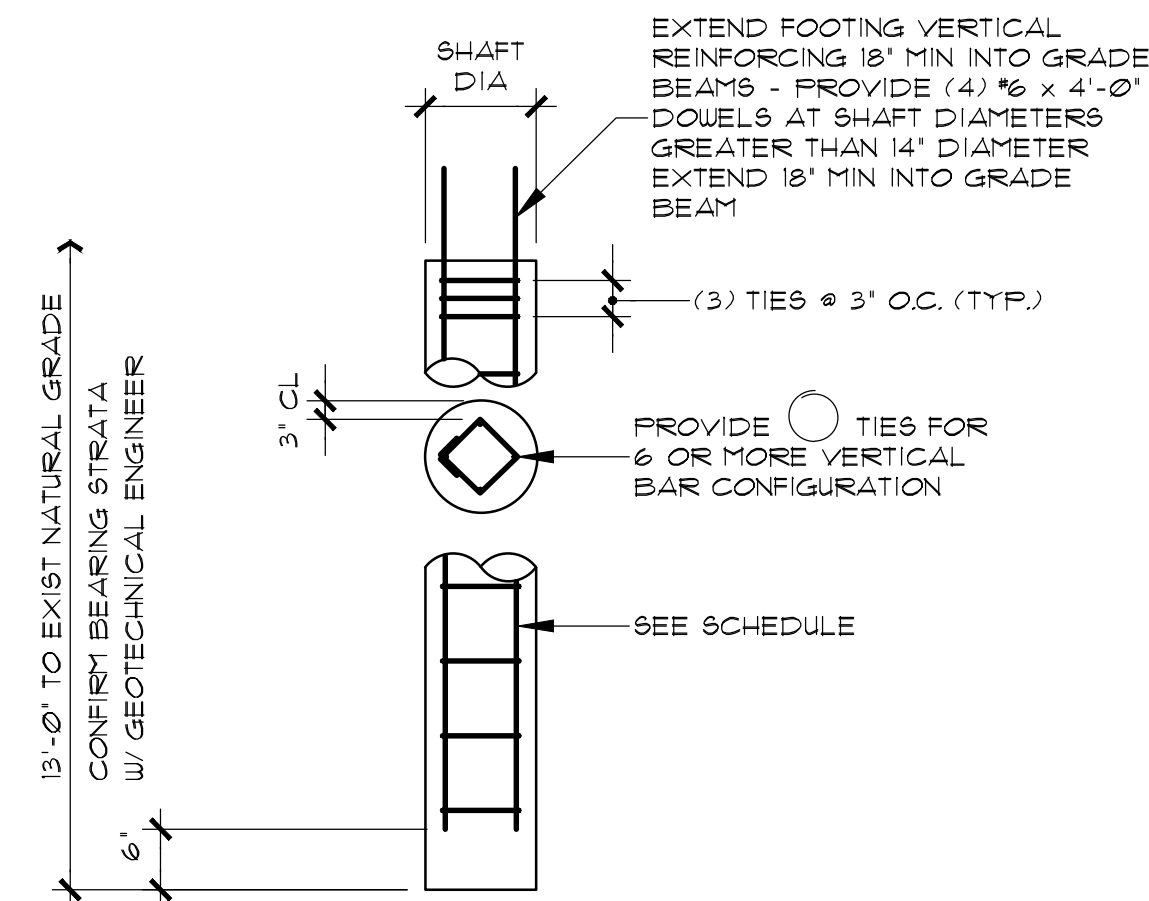
STRAP BEAM SCHEDULE

ORIG SINGLE BELL DIAM	DBL PIER BELL SIZE	DBL PIER SHAFT SIZE	STRAP BEAM LENGTH (L)	STRAP BEAM (W X D)	STRAP BEAM REINFORCING
24", 36"	30"	12"	5'-0"	30"x24"	(5) #7 T&B #4 @ 9" OC
42", 48"	36"	12"	6'-0"	30"x24"	(5) #7 T&B #4 @ 9" OC
54", 60"	48"	18"	8'-0"	30"x24"	(6) #7 T&B #4 @ 9" OC
66", 72"	54"	18"	9'-0"	30"x24"	(6) #7 T&B #4 @ 9" OC
72", 80"	60"	24"	10'-0"	30"x24"	(6) #7 T&B #4 @ 9" OC

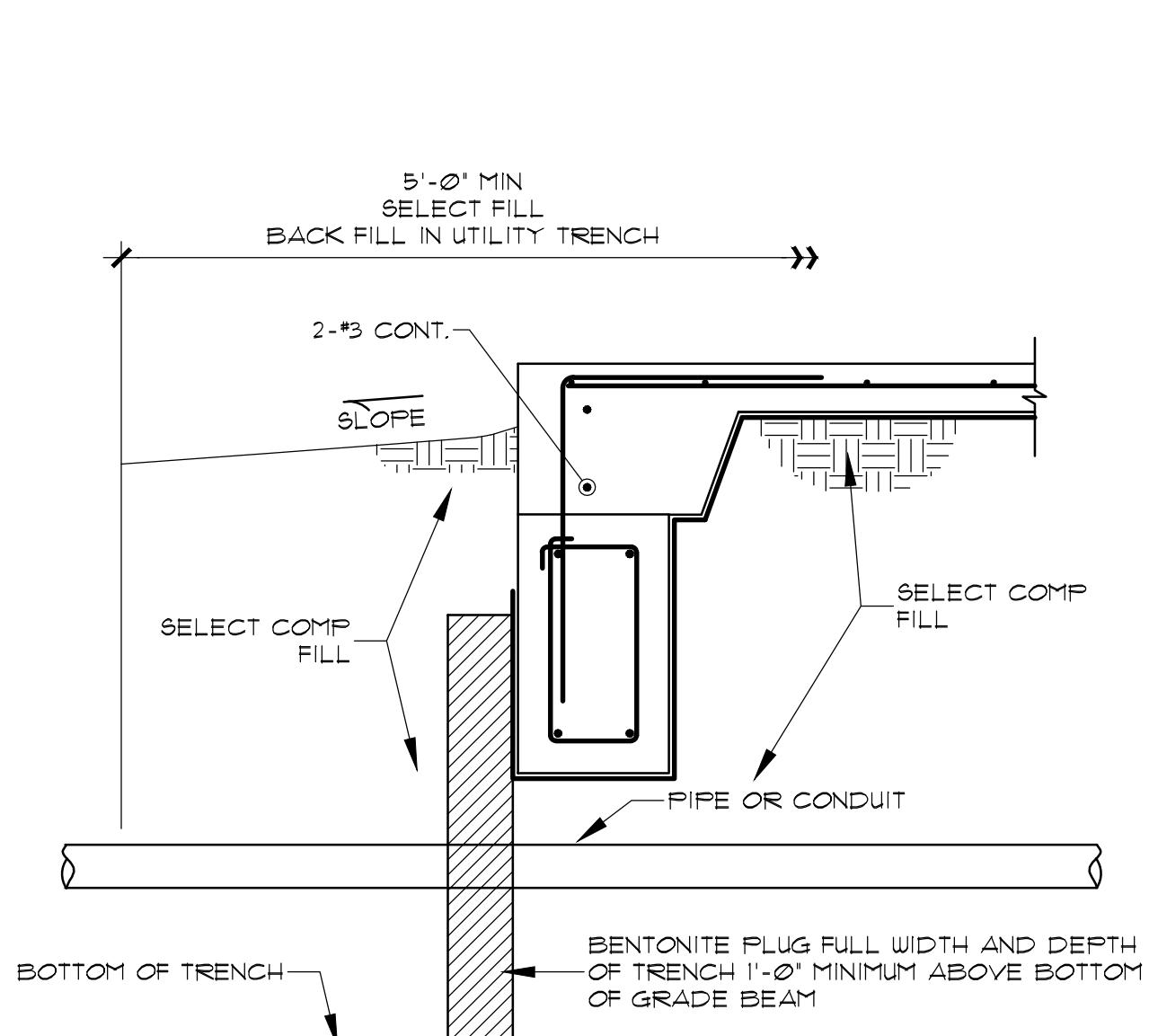
12 OBSTRUCTION DETAIL
SCALE: 3/4" = 1'-0"

FOOTING SCHEDULE

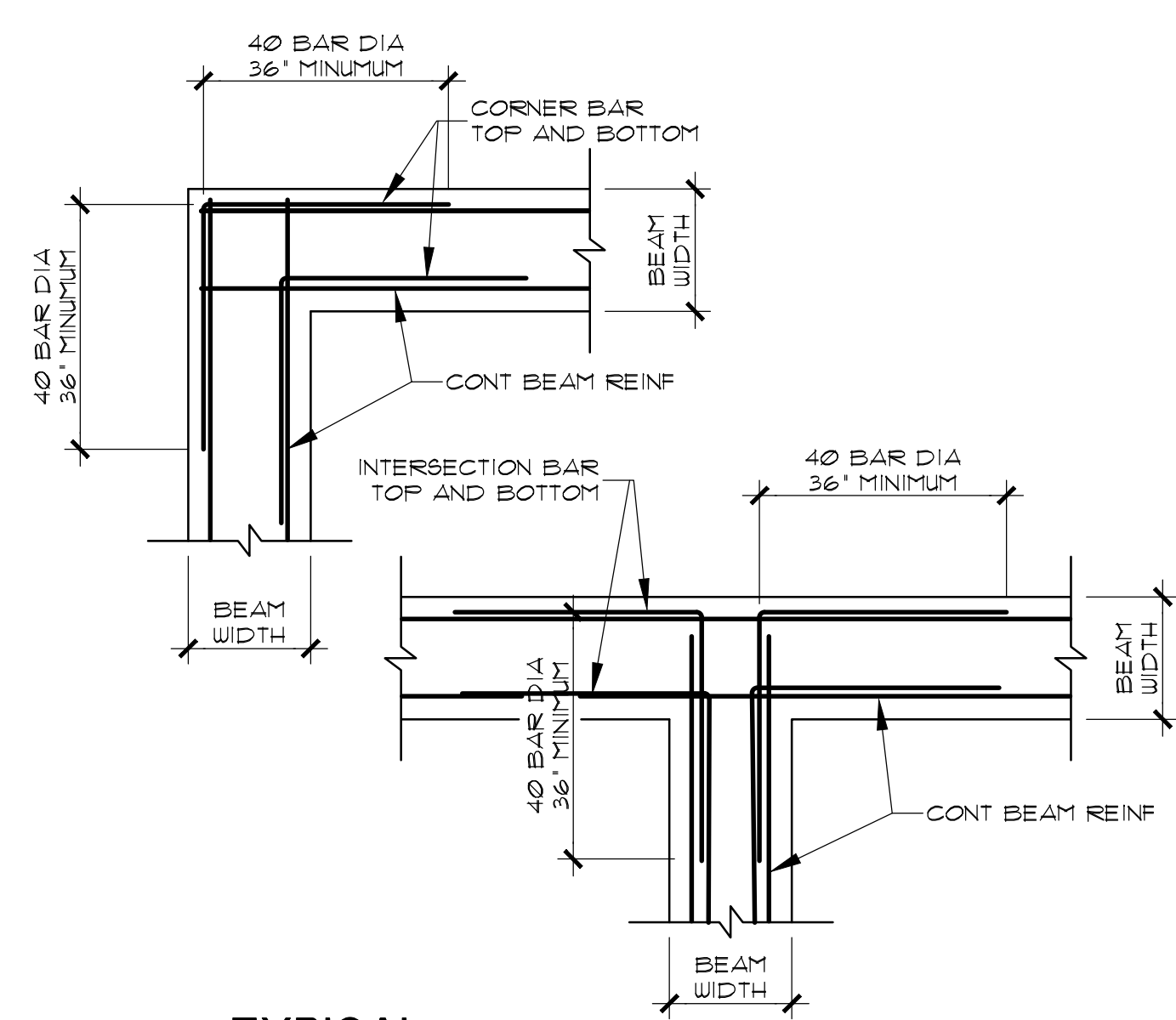
SHAFT DIA.	VERT. BARS	TIES
24"	6 - #6	#3 @ 14"
32"	6 - #8	#3 @ 18"
36"	8 - #8	#3 @ 18"



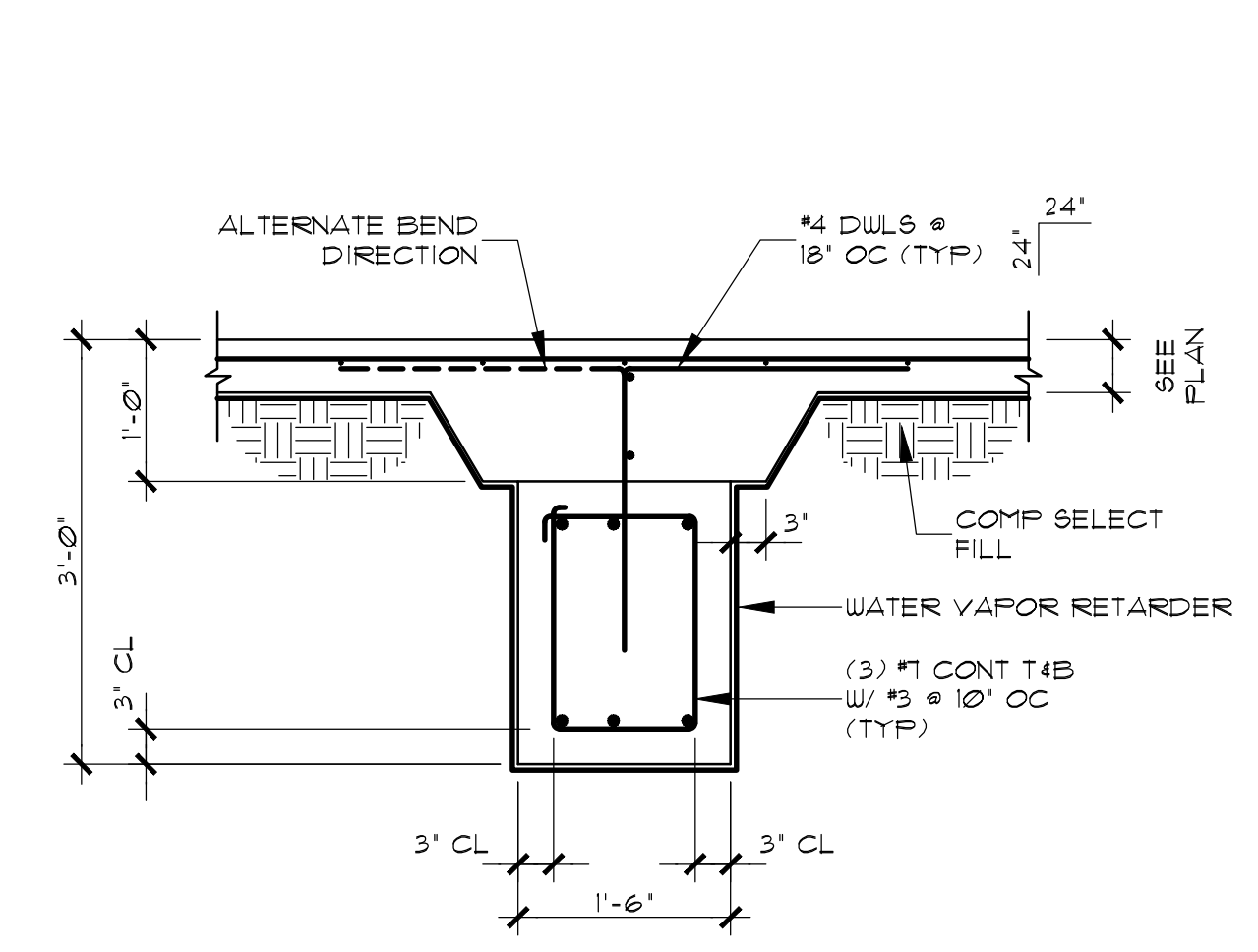
10 STRAIGHT SHAFT DRILLED FOOTING DETAIL
SCALE: 3/4" = 1'-0"



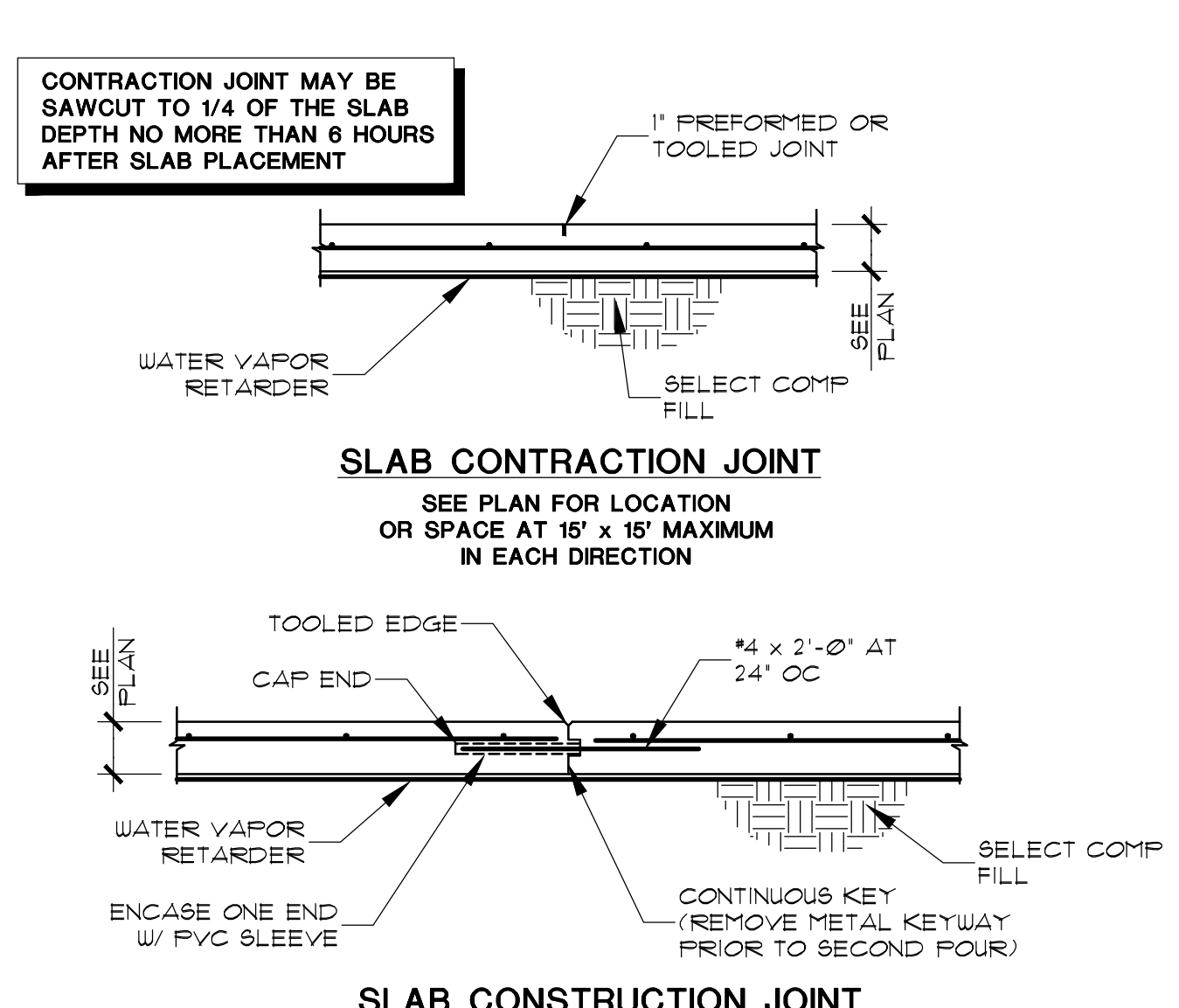
9 PIPE ENTRY DETAIL
SCALE: 3/4" = 1'-0"



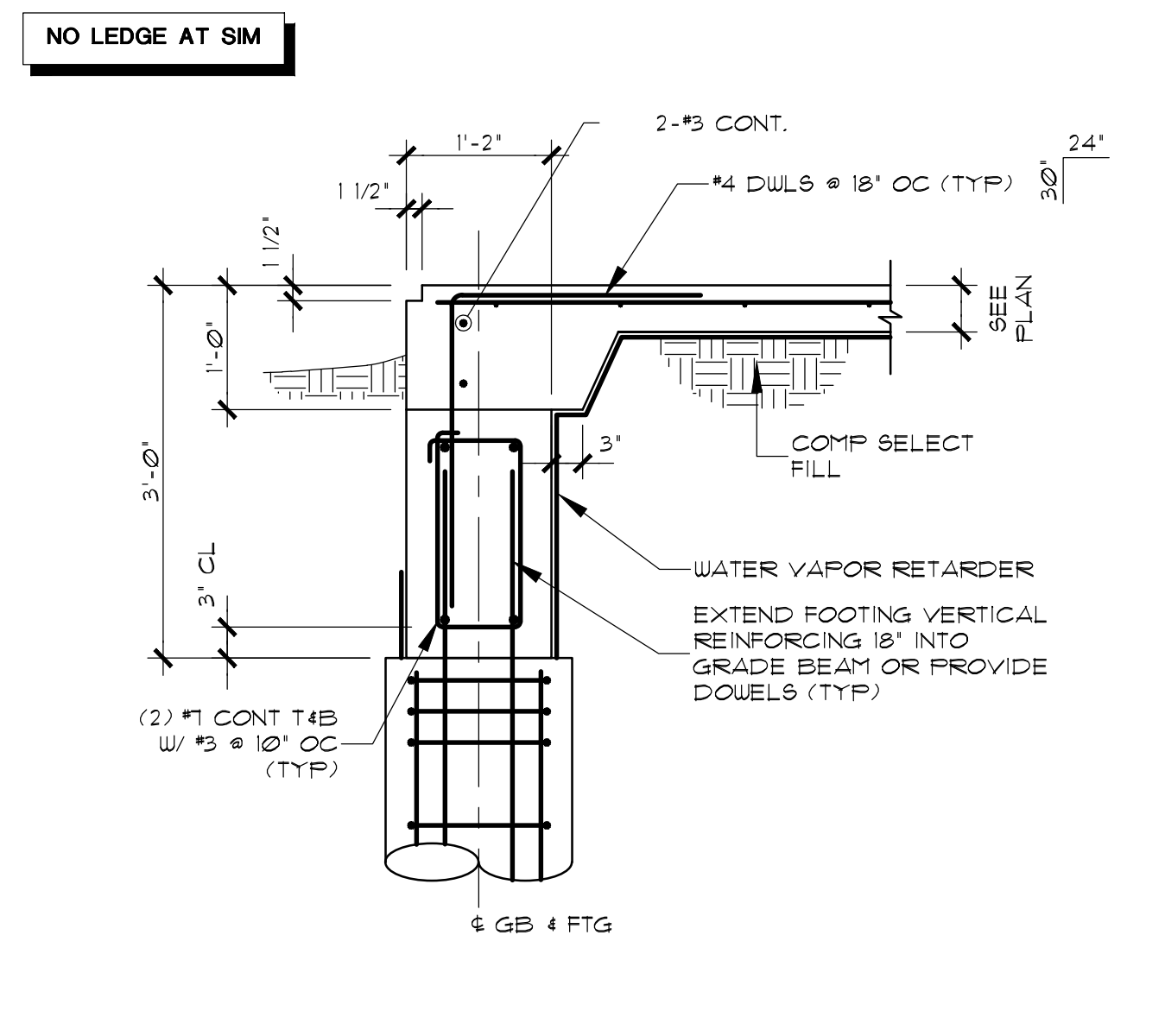
8 TYPICAL CORNER BAR DETAIL
SCALE: 3/4" = 1'-0"



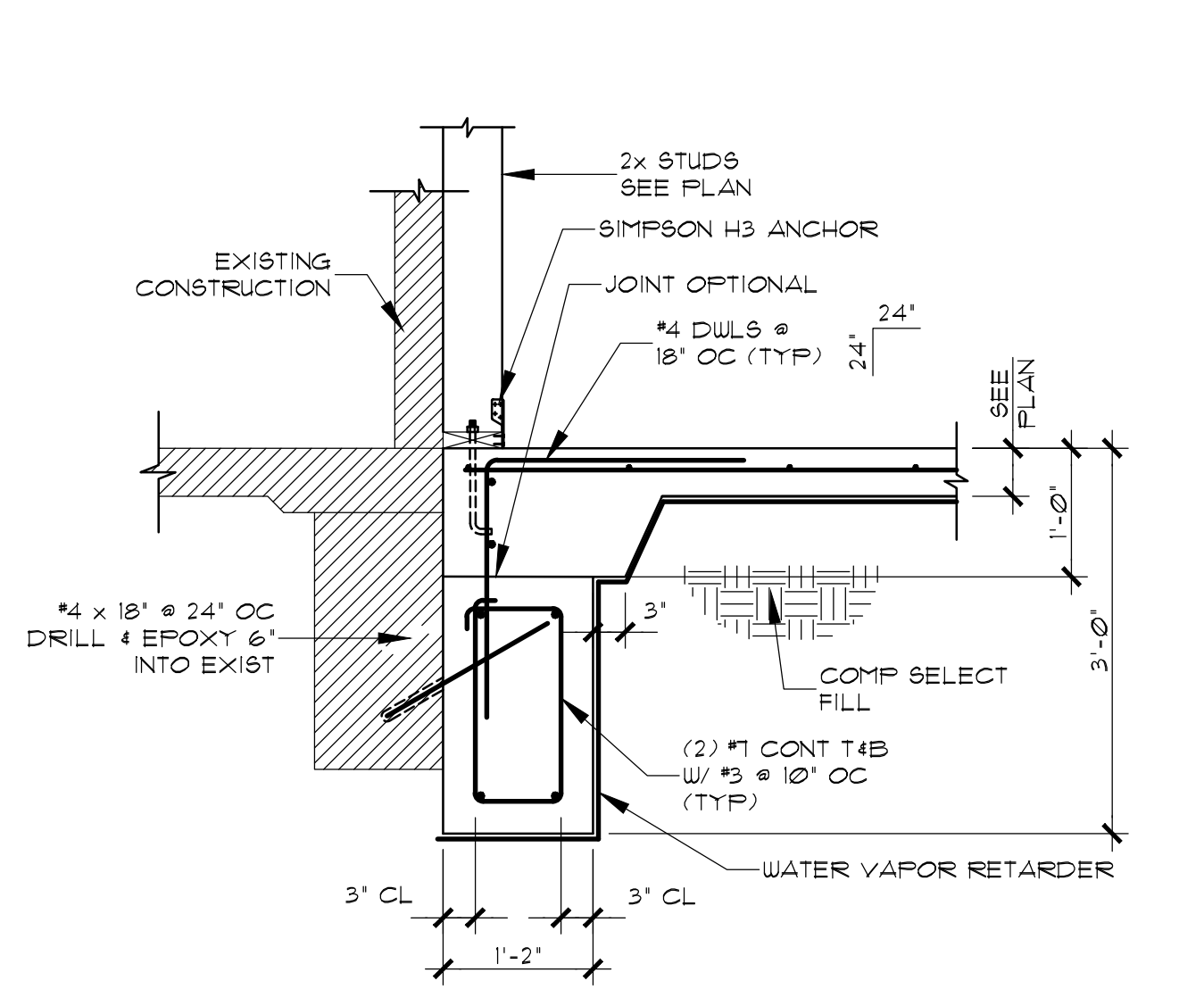
7 TYPICAL INTERIOR GRADE BEAM
SCALE: 3/4" = 1'-0"



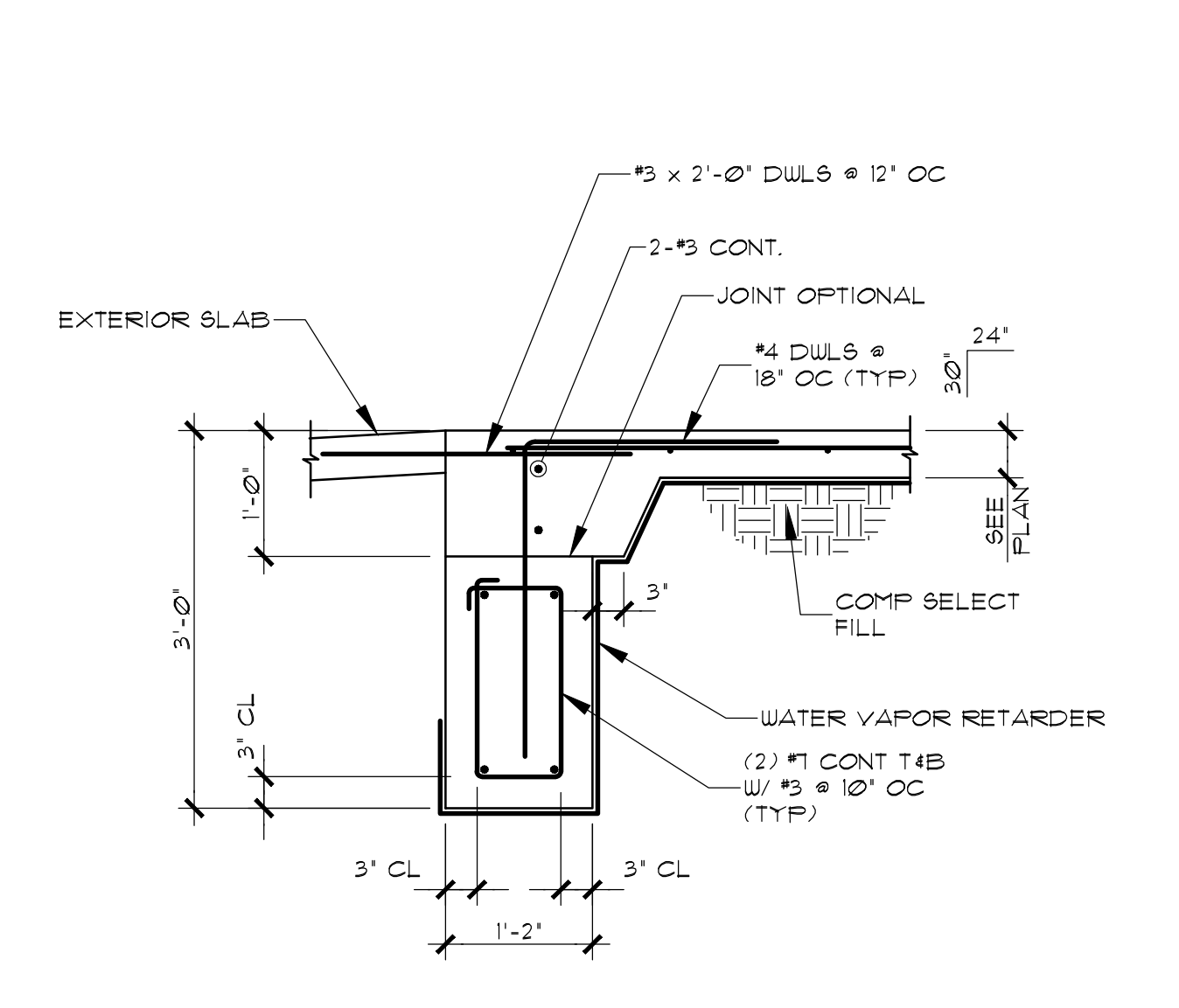
6 SLAB JOINT DETAIL
SCALE: 3/4" = 1'-0"



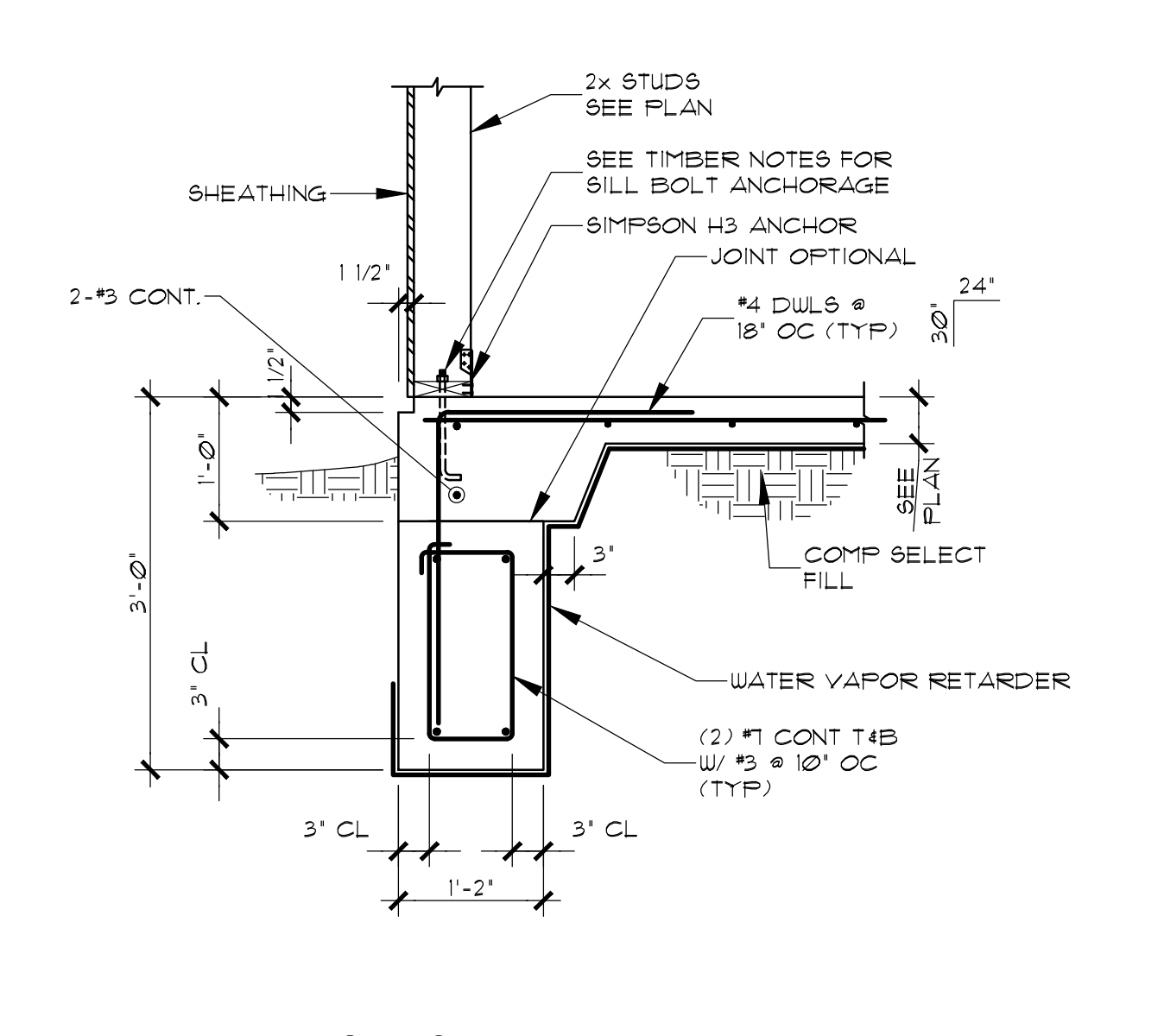
5 INTERMEDIATE FOOTING DETAIL
SCALE: 3/4" = 1'-0"



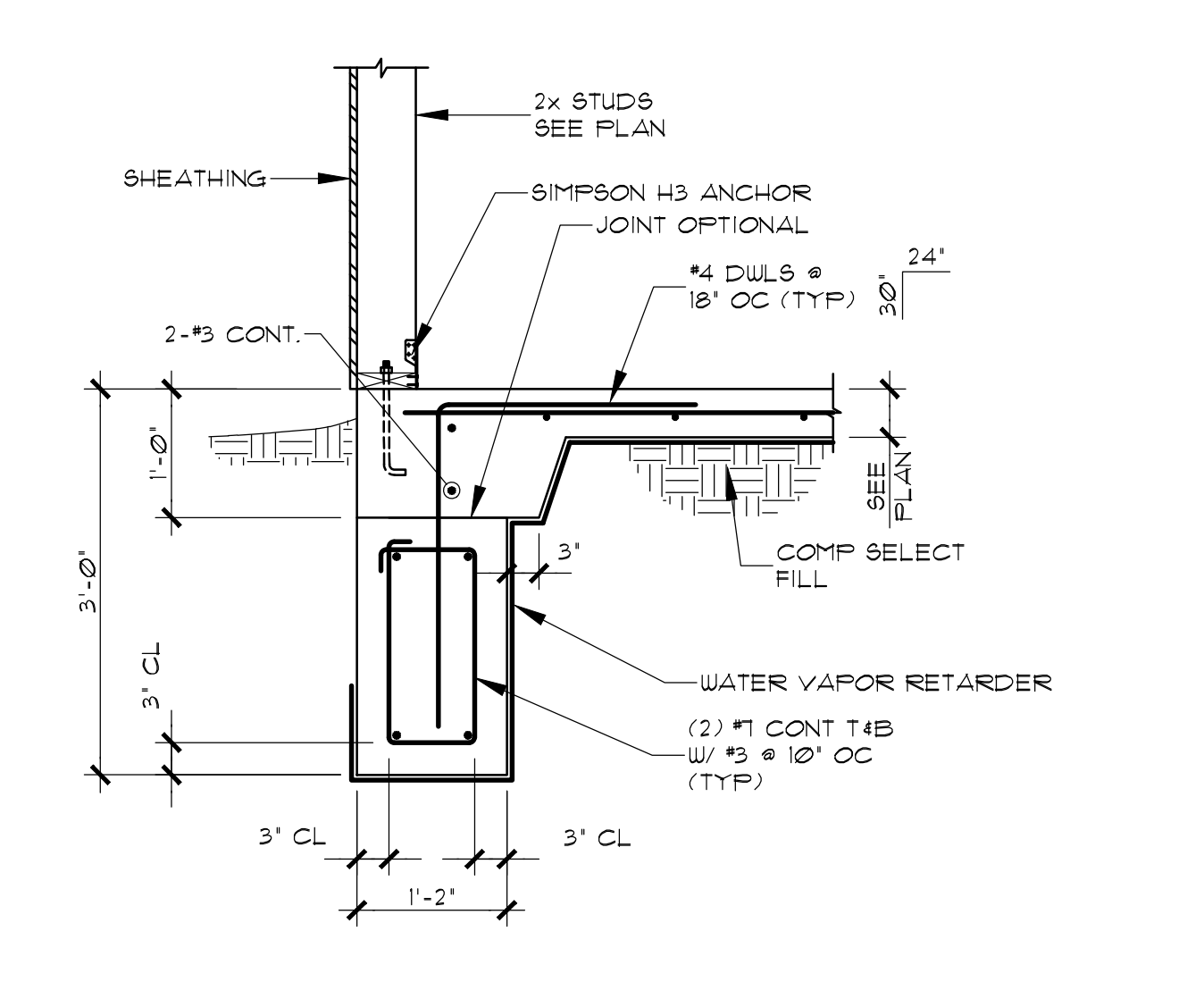
4 TYPICAL GRADE BEAM AT EXISTING
SCALE: 3/4" = 1'-0"



3 GRADE BEAM AT EXTERIOR SLAB
SCALE: 3/4" = 1'-0"



2 EXTERIOR GRADE BEAM AT BRICK LEDGE
SCALE: 3/4" = 1'-0"



1 TYPICAL EXTERIOR GRADE BEAM
SCALE: 3/4" = 1'-0"



ARCHITECTURE PLANNING INTERIOR DESIGN
15810 PARK TEN PLACE, SUITE 300
HOUSTON, TEXAS 77084
713-465-4650
www.sligroup.com



NECHES LUMBERTON DRIVE-THRU REMODEL
299 Country Lane at U.S. 69
Lumberton, Texas 77657

ISSUED FOR CLIENT APPROVAL	DATE
ISSUED FOR BIDDING	05/22/2026
ISSUED FOR PERMIT	05/22/2026
ISSUED FOR CONSTRUCTION	

REVISIONS		
MARK	DESCRIPTION	DATE
A	ADDENDUM B	05/22/2026

CJG Engineers
Texas Engineering Firm Reg. No. F-170
6051 North Course Dr Ste 375
Houston, Texas 77072
713.780.3345

The information, ideas, designs, details, layouts, techniques, features, arrangements, plans, sequences, dimensions, allowances, tolerances, conceptions, specifications, intentions, technology or embodiments, as illustrated, arranged, displayed, noted, recorded, indicated, represented, disclosed, evidenced, detailed or otherwise related to tangible form hereon, either expressly, inherently or by implication, are the confidential and proprietary information of SLI Design, Inc. and shall not be used for any purpose other than the specific project or undertaking identified on the drawing title block or legend for which they are and have been prepared by SLI Design, Inc. Any other reproduction, disclosure or use of any portion of the confidential and proprietary information of SLI Design, Inc. shall be a breach of the obligation of confidence created by the acceptance of this drawing from SLI Design, Inc. for a specific project or Contract. Any copying, duplicating, reproducing, utilization, alteration, modification, revision or change to this drawing is expressly prohibited unless done with the prior written consent or approval of SLI Design, Inc. and shall not be undertaken without receipt of such prior written approval. This drawing is loaned by SLI Design, Inc. for the limited purpose of complying with a specific Contract. The drawing remains the property of SLI Design, Inc. and shall be returned upon request or completion of the contract, unless specifically authorized by Contract, under which it was loaned.

PRINT DATE

DRAWING TITLE	
FOUNDATION DETAILS	
DRAWN BY	AD
CHECKED BY	BG
APPROVED BY	BG

SHEET NO. **S3.01**