



ISSUED FOR CLIENT APPROVAL	DATE
ISSUED FOR BIDDING	05/08/2026
ISSUED FOR PERMIT	05/08/2026
ISSUED FOR CONSTRUCTION	

REVISIONS

MARK	DESCRIPTION	DATE
	90% REVIEW SET	2026/04/07
	PERMIT AND BID SET	2026/05/08

The information, ideas, designs, details, layouts, techniques, features, arrangements, plans, sequences, dimensions, allowances, tolerances, conceptions, specifications, intentions, technology or embodiments, as illustrated, arranged, displayed, noted, recorded, indicated, represented, disclosed, evidenced, detailed or otherwise reduced to tangible form herein, either expressly, inherently or by implication, are the confidential and proprietary information of SLI Design, Inc., and shall not be used for any purpose other than the specific project or undertaking identified on the drawing title block or legend for which they are and have been prepared by SLI Design, Inc. Any other reproduction, disclosure or use of any portion of the confidential and proprietary information of SLI Design, Inc., shall be a breach of the obligation of confidence created by the acceptance of this drawing from SLI Design, Inc. for a specific project or contract. Any copying, duplicating, reproducing, utilization, alteration, modification, revision or change to this drawing, is expressly prohibited unless done with the prior written consent or approval of SLI Design, Inc., and shall not be undertaken without receipt of such prior written approval. This drawing is loaned by SLI Design, Inc., for the limited purpose of complying with a specific contract. The drawing remains the property of SLI Design, Inc., and shall be returned upon request or completion of the contract, unless specifically authorized by contract, under which it was loaned.



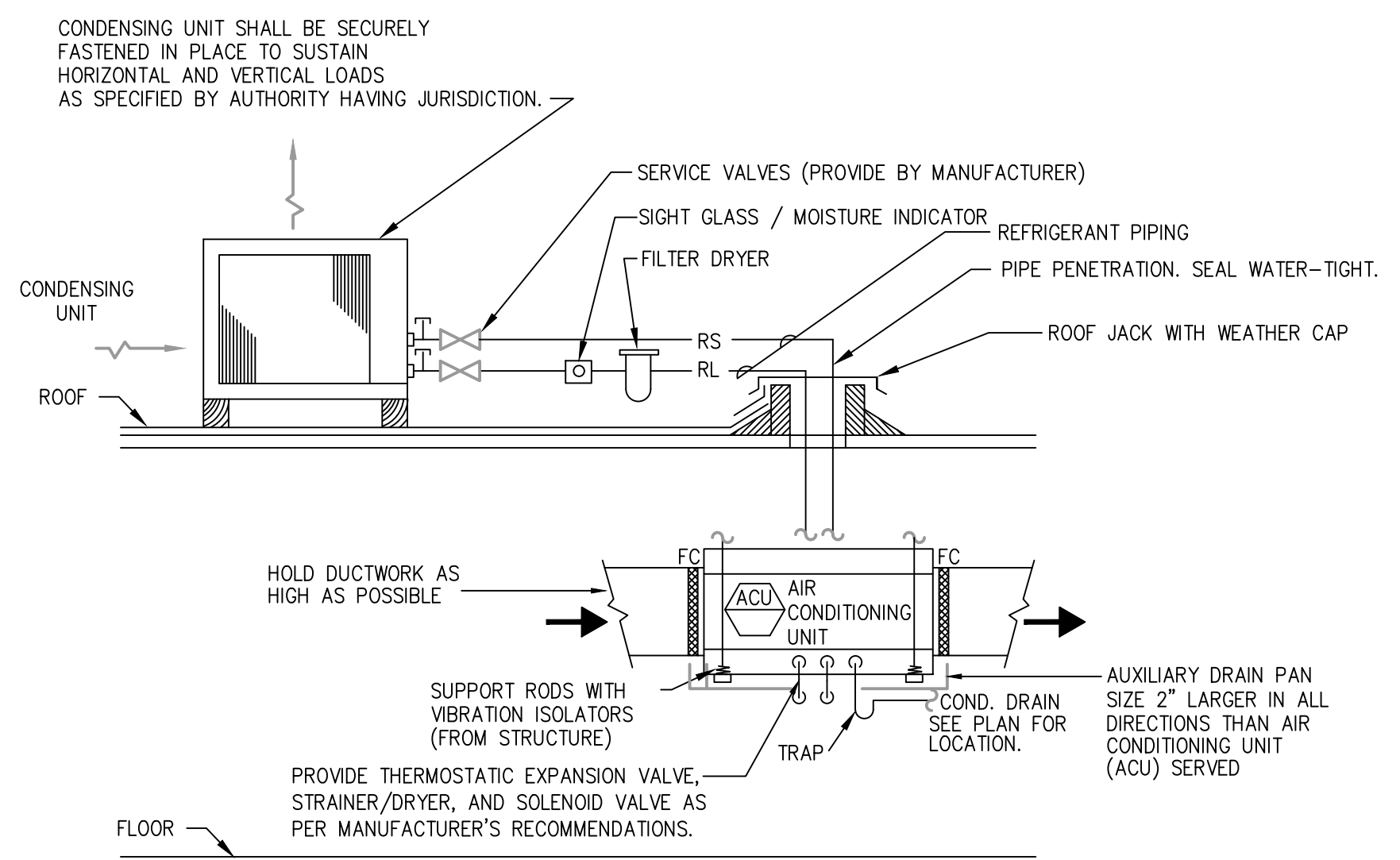
DRAWING TITLE
MECHANICAL DETAILS

SHEET NO.

M3.01

NOTES:

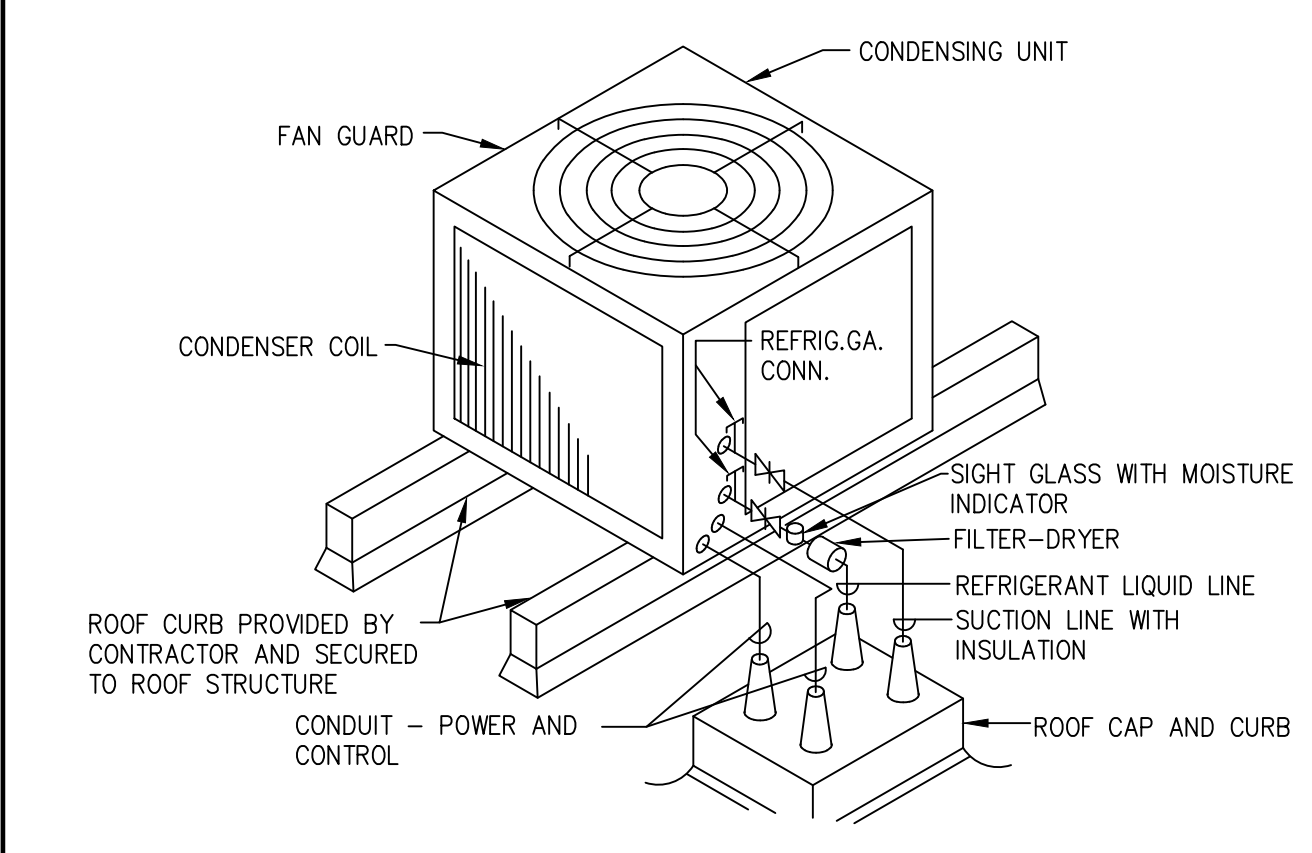
- AIR CONDITIONING UNIT TO BE INSTALLED AS HIGH AS POSSIBLE COORDINATE ACU LOCATION WITH STRUCTURAL AND ARCHITECTURAL ELEMENTS TO MAINTAIN REQUIRED ACCESS TO MOTORS, FILTERS, VALVES, AND ACCESS TO PANEL ON UNIT. CONTRACTOR SHALL BE RESPONSIBLE FOR KEEPING WORKING CLEARANCES FREE OF PIPING, CONDUIT, DUCTS, AND OTHER OBSTRUCTIONS.
- PROVIDE FLEXIBLE CONNECTION AT FAN COIL UNIT DISCHARGE & RETURN AIR PLENUM. REFRIGERANT LINES SIZED AS PER MANUFACTURER RECOMMENDATIONS. COORDINATE PIPE ROUTING WITH FILTER REMOVAL ACCESS. PITCH LINES IN DIRECTION OF REFRIGERANT FLOW TO FACILITATE OIL RETURN TO COMPRESSOR.
- REFRIGERANT LINES SHALL BE TYPE "L" HARD DRAWN "ACR" TUBING THAT HAS BEEN CLEANED AND CAPPED FOR REFRIGERATION SERVICE. FITTINGS SHALL BE WROUGHT COPPER AND SHALL BE INSTALLED WITH SILVER SOLDER JOINTS.
- SUCTION LINE INSULATION SHALL BE EQUAL TO ARMSTRONG JACKET HAVING STRAPS AT 12" ON CENTER. INSTALL INSULATION AND METAL JACKET PER MANUFACTURER'S RECOMMENDATIONS.
- PROVIDE CONDUCTIVITY SWITCH IN AUXILIARY DRAIN PAN TO DE-ENERGIZE FAN COIL UNIT WHEN WATER IS DETECTED IN AUXILIARY DRAIN PAN.
- PRIOR TO EQUIPMENT INSTALLATION FINAL LOCATIONS SHALL BE APPROVED BY THE OWNER OR PROJECT ARCHITECT.



A/C SYSTEM W/ HORZ. AIR HANDLING + ROOF MOUNTED CONDENSING UNIT. TYPICAL. 01

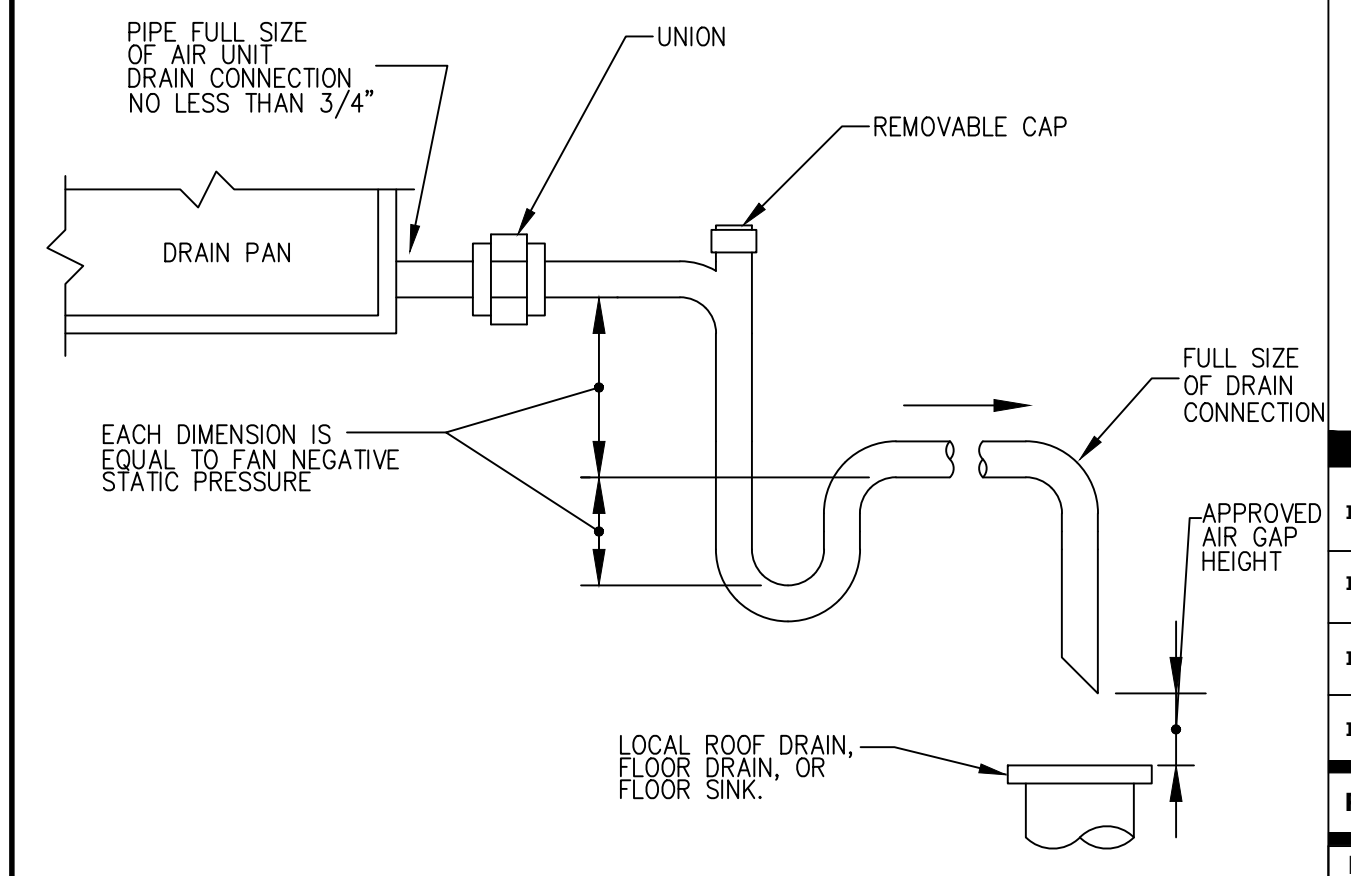
SCALE: NONE

NOTE: ROOF CURB TO BE PROVIDED BY MECHANICAL CONTRACTOR AND ALL FLASHING AND ROOFING TO BE PERFORMED BY CERTIFIED ROOFING CONTRACTOR. UNIT TO BE SECURED TO CURB USING INTEGRAL ATTACHMENT POINTS ON BOTTOM OF UNIT.



ROOFTOP CONDENSING UNIT 03

SCALE: NONE



- NOTE:
- LOCATE TRAPS SA AS TO BE ACCESSIBLE FOR CLEANING.
 - TO DETERMINE OFFSET, SUBTRACT SCHEDULED E.S.P. FROM T.S.P. THEN ADD 1".
 - ROUTE TO NEAREST SANITARY DRAIN.

CONDENSATE DRAIN 02

SCALE: NONE

FOR QUESTIONS, CALL
FERNANDO JIMENEZ — ZIYAD DABOU — SERGIO CAMARILLO
reg126@captiveaire.com

PHONE: (346) 330-2007 FAX: 919-516-8746

HOOD INFORMATION — JOB#8656497

HOOD NO	TAG	MODEL	MANUFACTURER	LENGTH	MAX COOKING TEMP	TYPE	APPLIANCE DUTY	DESIGN CFM/FT	TOTAL EDH CFM	EXHAUST PLENUM (RISER(S))						HOOD CONSTRUCTION	HOOD CONFIG		
										WIDTH	LENG	HEIGHT	DIA	CFM	VEL		SP	END TO	ROW
1		R024 ND-2	CAPTIVEAIRE	7' 11"	600 DEG	1	HEAVY	202	1600			4"	14"	1600	1487	-0.612"	430 SS WHERE EXPOSED	ALONE	ALONE

HOOD INFORMATION

HOOD NO	TAG	FILTER(S)				LIGHT(S)				UTILITY CABINET(S)				FIRE SYSTEM PIPING	HOOD HANGING WEIGHT
		TYPE	QTY	HEIGHT	LENGTH	EFFICIENCY @ 7 MICRONS	QTY	TYPE	WIRE GUARD	LOCATION	SIZE	FIRE SYSTEM TYPE	SIZE		
1		CAPTRATE SOLO FILTER	5	20"	16"	85% SEE FILTER SPEC	2	RECESSED ROUND	NO					YES	454 LBS

HOOD OPTIONS

HOOD NO	TAG	OPTION
1		FIELD WRAPPER 18.00" HIGH FRONT, LEFT, RIGHT. BACKSPASH 80.00" HIGH X 96.00" LONG 430 SS VERTICAL. LEFT SIDESPASH 80.00" HIGH X 80.00" LONG 430 SS VERTICAL. LEFT END STANDOFF (FINISHED) 1" WIDE 60" LONG INSULATED. RIGHT VERTICAL END PANEL 27" TOP WIDTH, 21" BOTTOM WIDTH, 80" HIGH INSULATED 430 SS.

WALL-MOUNT UTILITY CABINET

HOOD NO	LOCATION	SIZE	UTILITY CABINET(S)				WEIGHT
			TYPE	SIZE	ELECTRICAL MODEL #	SWITCHES QUANTITY	
1	WALL MNT	12"x30"x30"	TANK FS	4,0/4,0	SC-31110MA	1 LIGHT 1 FAN	340.00 LBS

EXHAUST FAN INFORMATION — JOB#8656497

FAN UNIT NO	TAG	QTY	FAN UNIT MODEL #	MANUFACTURER	CFM	ESP	RPM	MOTOR ENCL	HP	BHP	PHASE	VOLT	FLA	DISCHARGE VELOCITY	WEIGHT (LBS)	SONES
1	KEF-1	1	USB150D-RM	CAPTIVEAIRE	1600	2.000	1623	ODP, PREMIUM	1.500	0.9230	3	208	4.4	1112 FPM	372	18.4

DOAS/RTU FAN SCHEDULE — JOB#8656497

FAN UNIT NO	TAG	QTY	DOAS/RTU MODEL #	MANUFACTURER	BLOWER	TOTAL CFM	MAX OUTSIDE AIR CFM	RETURN AIR CFM	WEIGHT (LBS)	ESP	HP	ELECTRICAL INFORMATION						REHEAT INFORMATION				ELECTRIC HEAT INFORMATION				A2L MINIMUM ROOM VOLUME			NOTES									
												PHASE	VOLT	MCA	MOCP	OUTSIDE AIR		LEAVING AIR		CAPACITY		IEER	ISMRE2	DISCHARGE		CAPACITY	MOISTURE REMOVAL RATE	DSGN. KW'S		MAX. KW'S	VOLTS	AMPS	TEMP RISE	ROOM AREA (FT2)	AIRFLOW (CFM)	HEIGHT (FT)		
																DB	WB	DB	WB	DP	TOTAL			SENS.	DB												WB	DESIRE
2	DOAS-1	1	CAS-HVAC-E.402-15-10T-DOAS	CAPTIVEAIRE	1SP-1	1280	1280	0	1500	0.750	1.50	3	208	103.7A	110A	88.4F	79.8F	53.4F	53.4F	53.4F	118.2 MBH	48.7 MBH	14.2	6.2	75.0F	62.0F	30.9 MBH	71.9 MBH	61.4 LBS/HR	25	40	208	96.2	58 F	345.1	621	7.2	1,2,3,4,5,6,7,8,9,10,11,12,13,14,15,16,17,18

- NOTES:
- INVERTER SCROLL COMPRESSOR WITH INTEGRATED OIL SENSOR. DIGITAL OR STAGED SCROLL NOT AN APPROVED EQUAL
 - DIRECT DRIVE PLENUM BLOWER. BELT DRIVEN BLOWERS ARE NOT ACCEPTABLE
 - INTEGRATED MONITORING VIA CELLULAR CONNECTION BY MANUFACTURER
 - REFRIGERATION PRESSURE MONITORING ON HIGH AND LOW PRESSURE SIDE OF SYSTEM INCLUDED THROUGH DIGITAL INTERFACE
 - EC MOTOR CONDENSING FANS
 - ELECTRONIC EXPANSION VALVE. TXV NOT ACCEPTABLE
 - SUCTION LINE ACCUMULATOR
 - FACTORY COMMISSIONING WITH 5 YEAR PARTS WARRANTY
 - AVERAGING INTAKE, EVAP AND DISCHARGE TEMPERATURE SENSORS (DISCHARGE SENSOR TO BE FACTORY MOUNTED WITHIN UNIT)
 - SUPPLY CFM MONITORING INTEGRAL TO UNIT WITH CFM MEASUREMENT INCLUDED THROUGH DIGITAL INTERFACE
 - FULLY MODULATING HOT GAS REHEAT
 - LOW AMBIENT COOLING OPERATION DOWN TO 0F
 - HALL GUARD FOR CONDENSING COIL
 - 1" EXTERIOR DUAL-WALL CONSTRUCTION W/ R-4.3 INSULATION-MINIMUM 24GA EXTERIOR W/ 18GA BASE
 - SIDE DISCHARGE/NO RETURN
 - SINGLE POINT POWER CONNECTION FOR UNIT & ELECTRIC HEATER
 - MINIMUM ROOM AREA ASSUMED 7.2' SUPPLY DIFFUSER HEIGHT AND IS CALCULATED PER UL60335-2-40 4TH ED. VALUES BASED ON FACTORY CHARGE. ACTUAL SITE CHARGE MAY DIFFER.

SCALE: N.T.S.

2603 Southwest Fwy, Ste 170, Stafford, TX 77477
Tel: (713) 840-0177 / Firm Reg. No: 5638

PM	MECH	ELEC	PLBG	CHCK
JG	THV	JG	BM	JG