



ARCHITECTURE | DESIGN | CONSTRUCTION.
15810 PARK TEN PLACE, SUITE 300
HOUSTON, TEXAS 77084
713-465-4650
www.sligroup.com

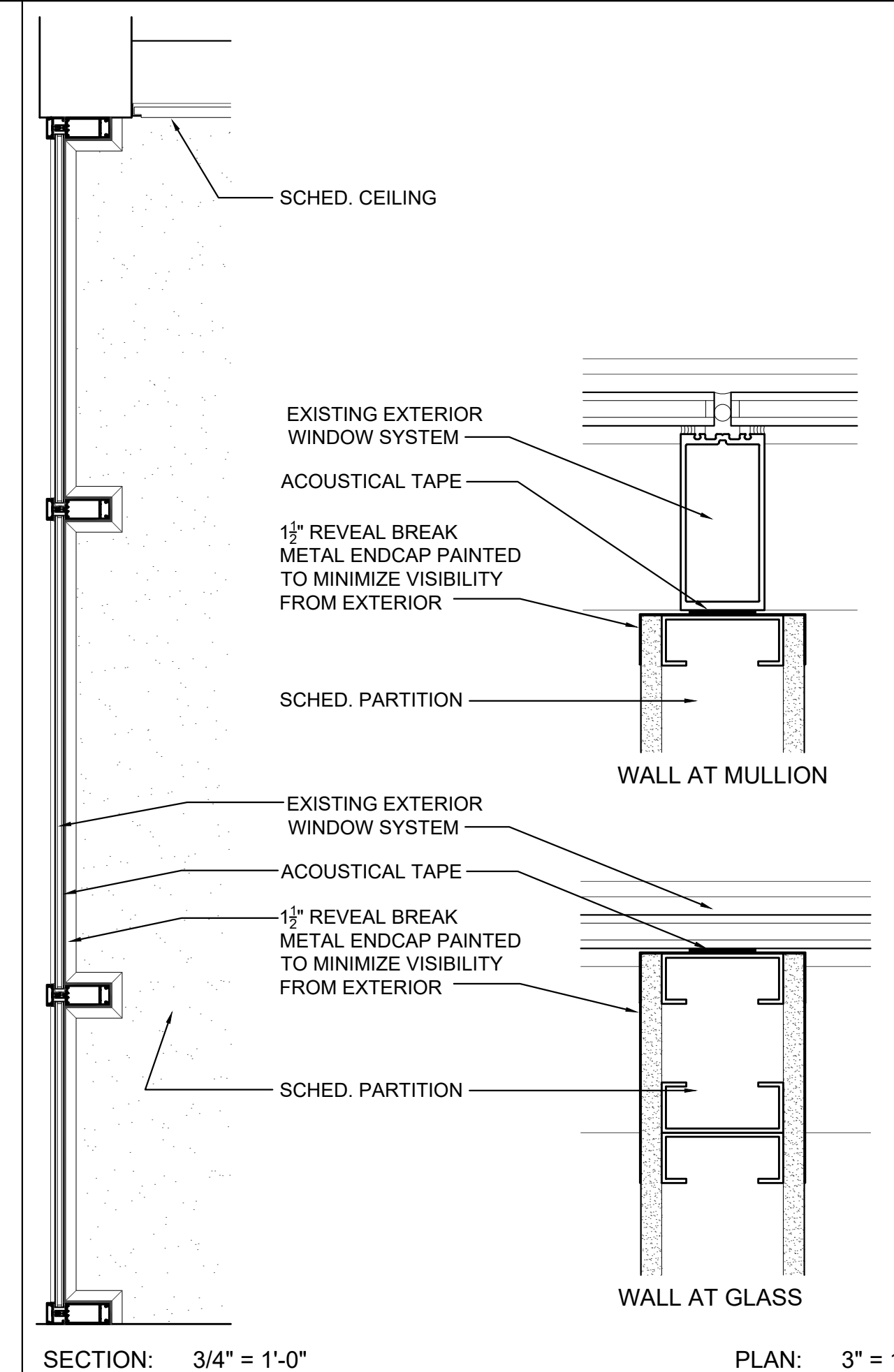
© COPYRIGHT

BAGEL BEE



**400 W. DAVIS, SUITE 110
CONROE, TX 77301**

PRODUCT NUMBER: 8981



SECTION: 3/4" = 1'-0"

PLAN: 3" = 1'-0"

02 DETAIL AT EXTERIOR WINDOW
SCALE: AS NOTED

FIRST FLOOR DOOR SCHEDULE

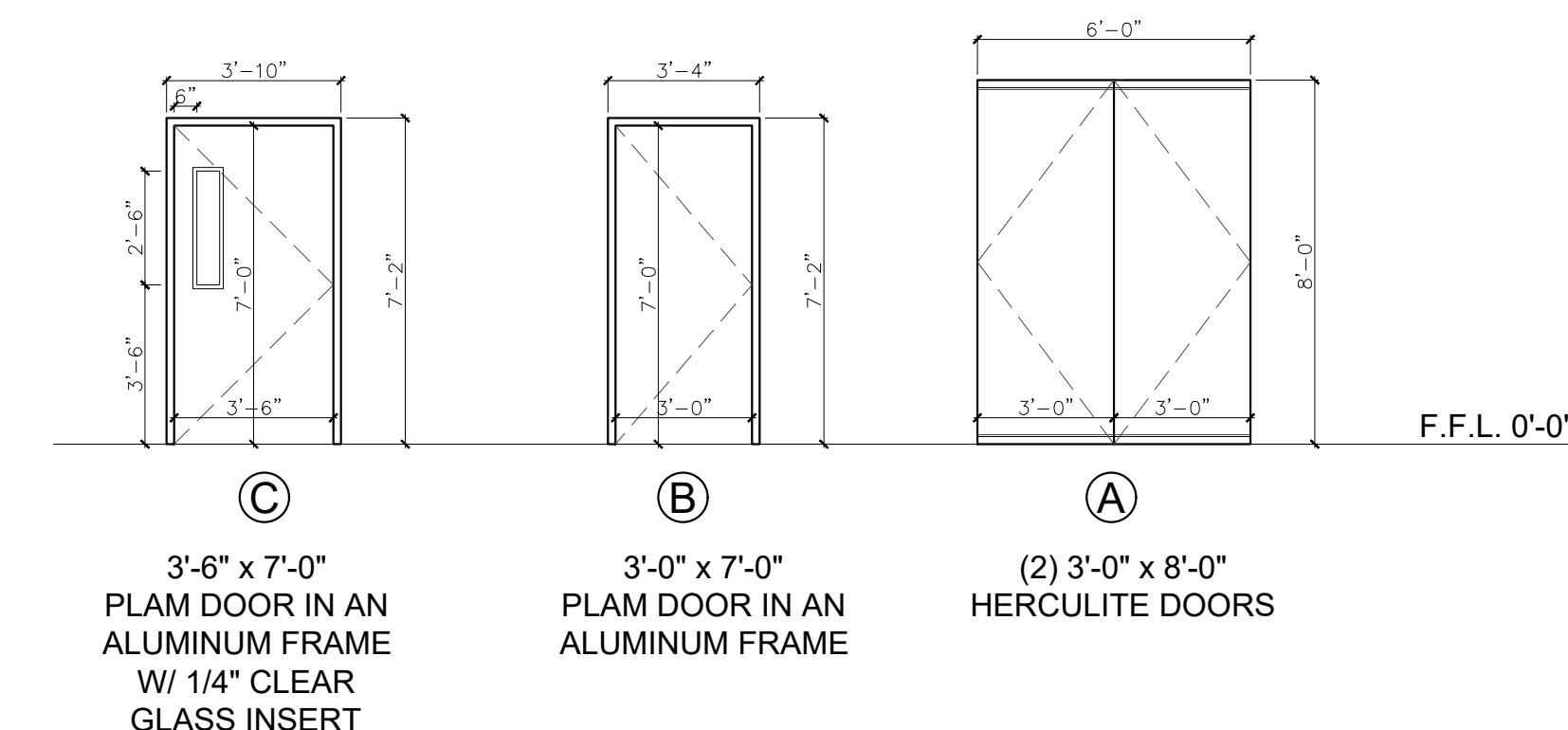
DOOR #	LOCATION		DOOR			FRAME		HARDWARE		NOTES
	FROM	TO	HAND	TYPE	FINISH	TYPE	FINISH	SET	FINISH	
200	COMMON CORRIDOR	ENTRY 200	LHR/RHR	A	GLASS	STAINLESS	POLISHED STAINLESS	01	626	
201	SERVICE 202	PREP LINE 204	LH / BI-DIR	C	PLAM	ALUM	CLEAR ANOID. ALUM.	03	626	
202	PREP LINE 204	OFFICE 203	LH	B	PLAM	ALUM	CLEAR ANOID. ALUM.	02	626	

HW SET #01 (Double Herculite Door)
2 ea. Top Pivot - (by supplier)
2 ea. Intermediate Pivot - (by supplier)
2 ea. Bottom Pivot - (by supplier)
1 ea. Threshold - ((by supplier)
2 ea. Push and pull bar set (by supplier)
1 set Weatherstripping - (by s.f. mfr.)
2 ea. Closer - (by supplier)
1 ea. Lock AT BOTTOM RAIL - (by supplier)

HW SET #02 (Office Passage Set)
1 1/2 pr. Butts - HAGER BB1279 - 4 1/2 x 4 - FINISH: US26D
1 ea. Passage set - HAGER-ARCHER LEVER 2510
SERIES FINISH: US26D
1 ea. Floor Stop - HAGER 242F - FINISH: US26D

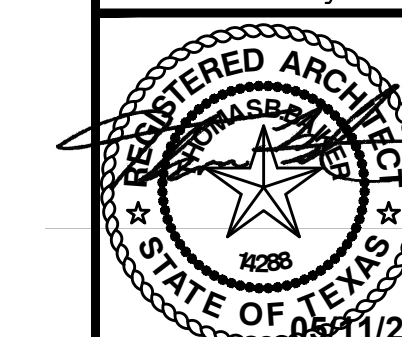
HW SET #03 (Double Acting Passage Set)
1 1/2 pr. HAGER - 511 CAMTROL DOUBLE ACTING HEAD
AND FLOOR PIVOTS - FINISH: US26D
2 ea. PUSH PLATE - HAGER-A30S-SQUARE CORNER
BEVELED FINISH: US26D

****PANIC BAR OPTIONS: 4500 SERIES (RIM/HEAVY DUTY), 4700 SERIES (RIM/LIGHT COMMERCIAL)
AND 4500 SERIES (VERTICAL ROD/HEAVY DUTY)
****ALL MAGLOCKS AND KEYFOB HARDWARE BY OWNER****
****LEVER OPTIONS: Withnell OR Archer****
****FINISHES: US3,US10B, US26D ****



The information, ideas, designs, details, layouts, techniques, features, arrangements, plans, sequences, dimensions, allowances, tolerances, conceptions, specifications, intentions, technology or embodiments, as illustrated, arranged, displayed, noted, recorded, indicated, represented, disclosed, evidenced, detailed or otherwise reduced to tangible form hereon, either expressly, inherently or by implication, are the confidential and proprietary information of SLI Design, Inc., and shall not be used for any purpose other than the specific project or undertaking identified on the drawing title block or legend for which they are and have been prepared by SLI Design, Inc. Any other reproduction, disclosure or use of any portion of the confidential and proprietary information of SLI Design, Inc., shall be a breach of the obligation of confidence created by the acceptance of this drawing from SLI Design, Inc. for a specific project or Contract. Any copying, duplicating, reproducing, utilization, alteration, modification, revision or change to this drawing, is expressly prohibited unless done with the prior written consent or approval of SLI Design, Inc. and shall not be undertaken without receipt of such prior written approval. This drawing is loaned by SLI Design, Inc., for the limited purpose of complying with a specific Contract. The drawing remains the property of SLI Design, Inc. and shall be returned upon request or completion of the contract, unless specifically authorized by Contract, under which it was loaned.

PRINT DATE May 08, 2026 -- 2:40pm



DRAWING TITLE
DOOR/WIN./HARD. SCHEDULE

DRAWN BY	CM	SHEET NO. A-2.00
CHECKED BY	TB	
APPROVED BY	TB	