



WC-1 Cadet FloWise® Chair Height Elongated Pressure-Assisted Toilet 1.1 gpf / 4.2 Lpf VITREOUS CHINA

BARRIER FREE

Cadet FloWise® Chair Height Elongated Pressure-Assisted Toilet 1.1 gpf/ 4.2 Lpf

- 2467.100 Vitreous china
- High Efficiency, Ultra Low-consumption (1.1 gpf/4.2 Lpf)
- EverClean® surface inhibits the growth of stain and odor-causing bacteria, mold, and mildew on the surface
- Meets EPA WaterSense® criteria
- Bowl rim at 16-1/2" for accessible applications
- Elongated bowl
- Pressure-assisted siphon jet flush action
- Fully-glazed 2-1/8" trapway
- 10 x 12" water surface area
- Close-coupled Flushometer tank*
- Metal chrome trip lever
- Speed Connect® tank/bowl coupling system
- Sanitary dam on bowl
- Two bolt caps
- 100% factory flush tested
- 12" Rough-in



- 2467.136 Same as above except with slotted rim bowl for bed pan holding (White only)
- 3483.100 Bowl with two bolt caps
- 3483.001 Same as above, Universal Bowl
- 3484.001 Bowl with slotted rim for bed pan holding with two bolt caps (White only)
- 4142.100 Tank complete with coupling components

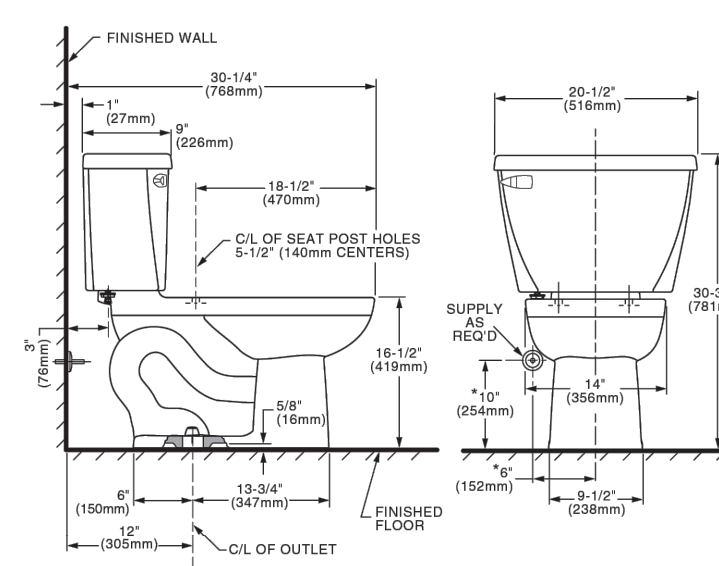
Nominal Dimensions:
768 x 521 x 781mm (30-1/4" x 20-1/2" x 30-3/4")
Fixture only, seat and supply by others
Recommended working pressure range 25 psi - 80 psi

- Alternate Configurations Available:**
- 4142.601 Tank and tank cover only with tank cover locking device
 - 4142.801 Tank and tank cover only with right hand trip lever
 - 4142.901 Tank complete with right hand trip lever and tank cover locking device

Compliance Certifications - Meets or Exceeds the Following Specifications:

- ASME A112.19.2-2008 / CSA B45.1-08 for Vitreous China Fixtures
- US EPA WaterSense® Specification for HET's

- To Be Specified:**
- Color: White
 - Seat: American Standard #5503A00B Transitional slow-close solid plastic closed front seat with cover
 - American Standard #5257A65MT Cardiff EverClean® slow-close solid plastic closed front seat with cover
 - Alternate Seat:



NOTES:
THIS TOILET IS DESIGNED TO TIGHTEN AT A MINIMUM DIMENSION OF 300mm (12") FROM FINISHED WALL TO CL OF OUTLET. SUPPLY NOT INCLUDED WITH FIXTURE AND MUST BE ORDERED SEPARATELY.
* DIMENSION SHOWN FOR LOCATION OF SUPPLY IS SUGGESTED.
IMPORTANT: Dimensions of fixtures are nominal and may vary within the range of tolerance established by ASME A112.19.2-2008 / CSA B45.1-08. These measurements are subject to change or cancellation. No responsibility is assumed for use of superseded or voided pages.

MEETS THE AMERICANS WITH DISABILITIES ACT GUIDELINES AND ANSI A117.1 REQUIREMENTS FOR ACCESSIBLE AND USABLE BUILDING FACILITIES - CHECK LOCAL CODES.



KOHLER Faucets

SK-1

Compact pull-down kitchen sink faucet with three-function sprayhead
Simplice® K-597



Features

- Three-function pull-down sprayhead with touch-control allows you to switch between stream, Sweep® spray and Boost technology
- Boost technology increases the flow rate by 30% with the press of a button
- KOHLER® ceramic disc valves exceed industry longevity standards for a lifetime of durable performance
- ProMotion® technology's light, quiet braided hose and swiveling ball joint make the pull-down sprayhead easier and more comfortable to use
- MasterClean™ sprayface features an easy-to-clean surface that withstands mineral buildup and maximizes spray performance
- High-arch spout offers superior clearance for filling pots and cleaning
- Single handle is simple to use and makes adjusting water temperature easy
- Temperature memory allows faucet to be turned on and off at the temperature set during prior usage
- 1.5 gpm (5.7 lpm) maximum flow rate at 60 psi (4.14 bar)
- High-arch gooseneck spout and 360° spout rotation offer superior clearance for filling pots and cleaning
- Sweep® spray features specially angled nozzles that form a wide, powerful blade of water to sweep your dishes and sink clean
- ProMotion® technology's light, quiet braided hose and swiveling ball joint make the pull-down sprayhead easier and more comfortable to use
- DockNetik® secure docking system locks sprayhead into place when not in use

Material

- Premium metal construction for durability and reliability
- KOHLER finishes resist corrosion and tarnishing

Installation

- For single-hole or three-hole installation (escutcheon plate included)
- Flexible supply lines and installation ring simplify installation
- Single-hole or three-hole installation (includes escutcheon plate)

Recommended Products/Accessories

- K-77686 Double-cartridge water filtration system
- K-77687 single replacement filter cartridge
- K-77688 Replacement Filter Cartridges, Two-Pack

Optional Products/Accessories

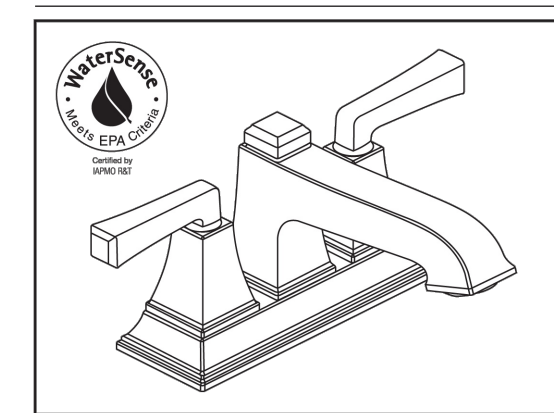
1-800-4KOHLER (1-800-456-4537)
Kohler Co. reserves the right to make revisions without notice to product specifications.
For the most current Specification Sheet, go to www.kohler.com USA or www.kohler.ca Canada
2-25-2026 20:55 - US/CA



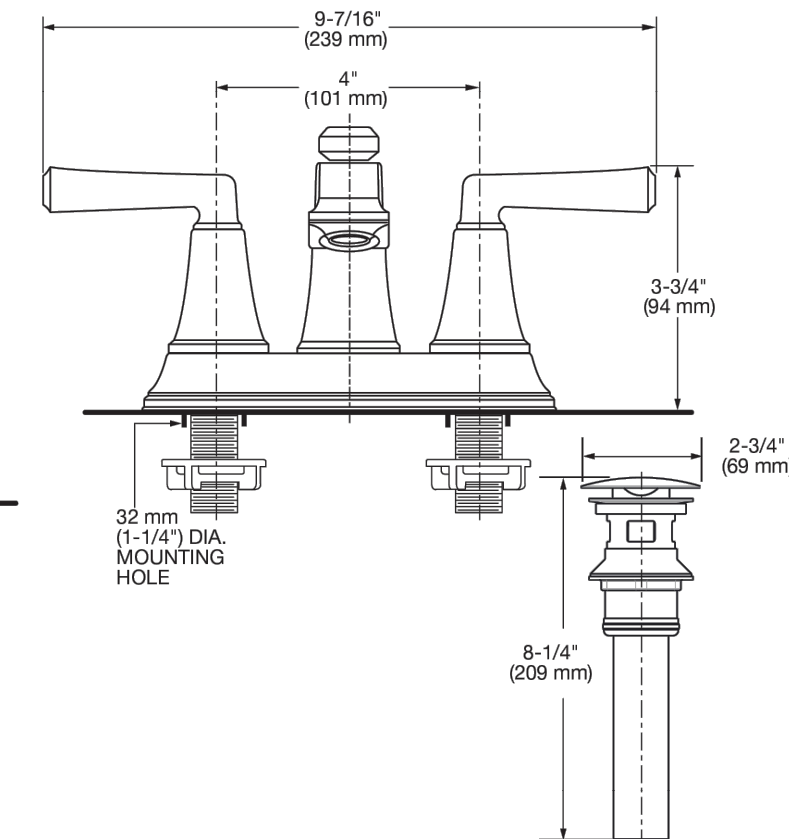
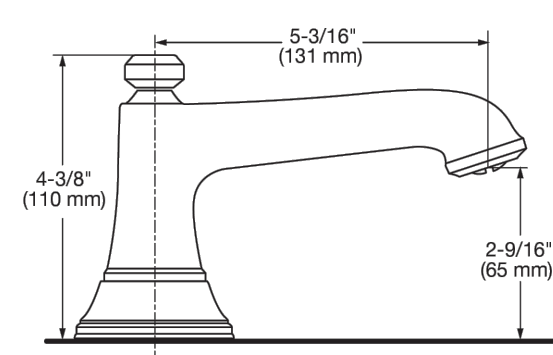
American Standard

L-1

Two-Handle Centerset Lavatory Faucet



MODEL NUMBER:
 7455207 - Town Square S Centerset Lavatory Faucet
Metal Lever handles. Metal push pop-up drain



GENERAL DESCRIPTION:

- Centerset lavatory faucet
- 1/4 turn washerless ceramic disc valve cartridges
- Cast brass spout
- 1/2" male inlet shanks
- Metal lever handles
- 1.2 gpm/4.5 L/min maximum flow rate

PRODUCT FEATURES:

Ceramic Disc Valve Cartridge: Assures a lifetime of drip-free performance.
Lead Free: Faucet contains ≤ 0.25% total lead content by weighted average.
Simple Installation: Fast and easy one person installation. Faucet drops in from top. Wing nuts secure faucet in place.

SUGGESTED SPECIFICATION

Two-handle 4" centerset lavatory faucet shall feature 1/4 turn washerless ceramic disc valve cartridges. Fitting shall be American Standard Model # 7455207.

ELKAY SPECIFICATIONS

ezH2O® Bottle Filling Station & Versatile Bi-Level ADA Cooler Non-Filtered Non-Refrigerated Light Gray Model EZSTLDDWSLK

PRODUCT SPECIFICATIONS
ezH2O® Bottle Filling Station & Versatile Bi-Level ADA Cooler Non-Filtered Non-Refrigerated Light Gray. Features shall include Antimicrobial*, Green Ticker™, Hands Free, Laminar Flow, Real Drain. Furnished with Flexi-Guard® Safety Bubbler, Electronic Bottle Filler Sensor with Electronic Front and Side Bubbler Pushbar activation. Product shall be Wall Mount (On Wall), for Indoor applications, serving 2 station(s). Unit shall be certified to UL 399 and CAN/CSA C22.2 No. 120.

Special Features:	Antimicrobial, Green Ticker™, Hands Free, Laminar Flow, Real Drain
Finish:	Light Gray Granite (L)
Power:	115V/60Hz
Bubbler Style:	Flexi-Guard® Safety Bubbler
Activation by:	Electronic Bottle Filler Sensor with Electronic Front and Side Bubbler Pushbar
Mounting Type:	Wall Mount (On Wall)
Chilling Capacity:	Non-refrigerated
Full Load Amps	1.1
Rated Watts:	15
Dimensions (L x W x H):	36-3/4" x 19" x 39-1/16"
Approx. Shipping Weight:	79 lbs.
Installation Location:	Indoor
No. of Stations Served:	2



Included with Product: Water Cooler (EZSTLDDWSL), Bottle Filler (EZWSR)

Ships in multiple boxes.
A Century of Tradition and Quality. For more than 100 years, Elkay has been making innovative products and providing exceptional customer care. We take pride in offering plumbing products that make life easier, inspire change and leave the world a better place.

PRODUCT COMPLIANCE
ADA & ICC A117.1
ASME A112.19.3/CSA B45.4
CAN/CSA C22.2 No. 120
GreenSpec®
NSF/ANSI 61 (Qs1) & 372 (lead free)
UL 399

Complies with ADA & ICC A117.1 accessibility requirements when installed according to the requirements outlined in these standards. Installation may require additional components and/or construction features to be fully compliant. Consult the local Authority Having Jurisdiction if necessary.
[Installation Instructions \(PDF\) - 1000002243](#)

Electrical components and water system are warranted for 12 months from date of installation. **Warranty pertains to drinking water applications only. Non-drinking water applications are not covered under warranty.**
[Warranty \(PDF\)](#)

PART: _____ QTY: _____
PROJECT: _____
CONTACT: _____
DATE: _____
NOTES: _____
APPROVAL: _____

In keeping with our policy of continuing product improvement, Elkay reserves the right to change product specifications without notice. Please visit elkay.com for the most current version of Elkay product specification sheets. This specification describes an Elkay product with design, quality, and functional benefits to the user. When making a comparison of other products' offerings, be certain these features are not overlooked.

ELKAY SPECIFICATIONS

Lustertone® Classic Stainless Steel 33" x 21-1/4" x 5-1/2" Equal Double Bowl Drop-in ADA Sink Model(s) LRAD332155

PRODUCT SPECIFICATIONS
Lustertone® Classic Stainless Steel 33" x 21-1/4" x 5-1/2" Equal Double Bowl Drop-in ADA Sink. Sink is manufactured from 18 gauge 304 Stainless Steel with a Lustrous Satin finish, Rear Center drain placement, and Bottom only pads.

Installation Type:	Drop-in
Material:	304 Stainless Steel
Finish:	Lustrous Satin
Gauge:	18
Sound Dampening:	Bottom only pads
Number of Bowls:	2
Sink Dimensions:	33" x 21-1/4" x 5-1/2"
Bowl 1 Dimensions:	13-1/2" x 16" x 5-3/8"
Bowl 2 Dimensions:	13-1/2" x 16" x 5-3/8"
Drain Size:	3-1/2" (89mm)
Drain Location:	Rear Center
Minimum Cabinet Size:	36"
Mounting Hardware:	Part # 64090014 included for countertops up to 3/4" (19mm) thick
Template Included:	No
Cutout Template #:	1000001288

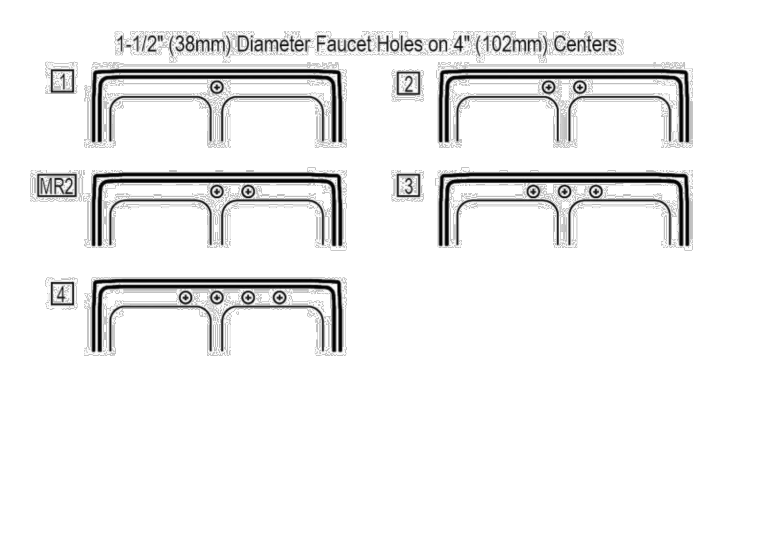


A Century of Tradition and Quality. For more than 100 years, Elkay has been making innovative products and providing exceptional customer care. We take pride in offering plumbing products that make life easier, inspire change and leave the world a better place.

Product Compliance: ADA & ICC A117.1
ASME A112.19.3/CSA B45.4

Sinks are listed by IAPMO® as meeting the applicable requirements of the Uniform Plumbing Code®, International Plumbing Code®, and National Plumbing Code of Canada.
Complies with ADA & ICC A117.1 accessibility requirements when installed according to the requirements outlined in these standards.

[Clean and Care Manual \(PDF\)](#)
[Installation Instructions \(PDF\) - 1000005236](#)
[Warranty \(PDF\)](#)



PART: _____ QTY: _____
PROJECT: _____
CONTACT: _____
DATE: _____
NOTES: _____
APPROVAL: _____

In keeping with our policy of continuing product improvement, Elkay reserves the right to change product specifications without notice. Please visit elkay.com for the most current version of Elkay product specification sheets. This specification describes an Elkay product with design, quality, and functional benefits to the user. When making a comparison of other products' offerings, be certain these features are not overlooked. Latest version of the spec sheet available: http://www.elkayfiles.com/spec-sheets/LRAD332155_spec.pdf

American Standard

OVALYN UNIVERSAL ACCESS™ UNDERCOUNTER SINK VITREOUS CHINA

- Made from vitreous china
- Unglazed rim for under counter mount
- Rear overflow
- Supplied with mounting kit (047194-0070A) and template

9482.000

Nominal Dimensions:
489 x 400mm
(19-1/4" x 15-3/4")

Bowl sizes:
425mm (16-3/4") wide
337mm (13-1/4") front to back
140mm (5-1/2") deep
102mm (4") bowl depth

Compliance Certifications - Meets or Exceeds the Following Specifications:

- ASME A112.19.2M for Vitreous China Fixtures
- CAN/CSA B45 series
- 1995 National Building Code, section 3.7 and CAN/CSA-B651-M90 and OBC 3.7.

- To Be Specified:**
- Color: White Bone Linen Silver Fawn Beige Black
 - Faucet:
 - Faucet Finish:
 - Supplies:
 - 1-1/4" Trap:

* See faucet section for additional models available

For Universal Design Options, top of counter may be mounted at 813mm (32") minimum from finished floor to meet ADA and ANSI A117.1 requirements. A 838mm (33") minimum mounting height is required for Ontario. Check local codes for heights and faucet handles requirements.

MEETS THE AMERICANS WITH DISABILITIES ACT GUIDELINES AND ANSI A117.1 ACCESSIBLE AND USABLE BUILDINGS AND FACILITIES - CHECK LOCAL CODES.

IMPORTANT: Dimensions of fixtures are nominal and may vary within the range of tolerances established by ANSI Standard A112.19.2. These measurements are subject to change or cancellation. No responsibility is assumed for use of superseded or voided pages.



ARCHITECTURE | DESIGN | CONSTRUCTION.
15810 PARK TEN PLACE, SUITE 300
HOUSTON, TEXAS 77084
713-465-4650
www.sligroup.com

Sage Capital Bank
Financial Wisdom. Texas Roots.
121 S Magnolia Ave.
Luling, TX 78648



ISSUED FOR CLIENT APPROVAL	DATE
ISSUED FOR BIDDING	
ISSUED FOR PERMIT	04/13/2026
ISSUED FOR CONSTRUCTION	

REVISIONS

MARK	DESCRIPTION	DATE
	PERMIT SET	04/13/2026



PRINT DATE

DRAWING TITLE PLUMBING FIXTURES

SHEET NO.

P-4.00

EABIE Mechanical Electrical Plumbing
CONSULTING ENGINEERS
12603 Southwest Frwy, Ste 170, Stafford, TX 77477
Tel: (713) 840-0177 / Firm Reg. No: 5638

PM	SETUP	MECH	ELEC	PLBG	CHCK
JG	CC/JG	CC	JG	CC	JG